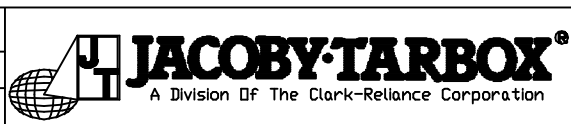


MATERIAL: PER B/M
 DRAWN: TFK
 CHECKED: DEP
 SCALE: NONE
 DATE: 9-15-95



SIGHT FLOW INDICATOR

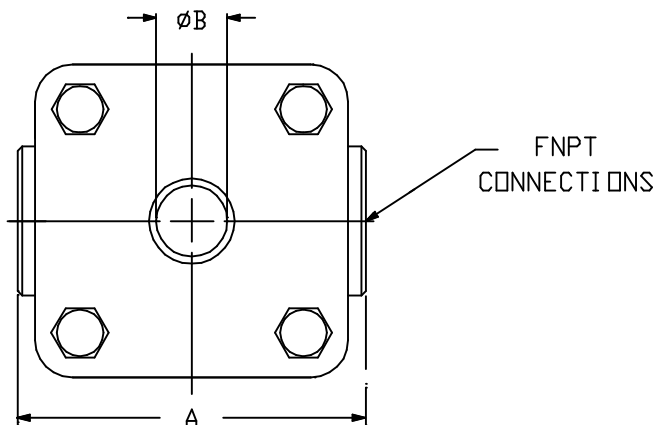
S-100HP-600, S-200HP-600,
 S-300HP-600, S-400HP-600

Section: T400
 Bulletin: T400.17
 Date: 09/01/93
 Supersedes: 12/05/91

600 PSIG MODELS

FILE NO: T400-17.DWG

THIS DRAWING AND ALL INFORMATION ON IT IS THE PROPERTY OF JACOBY-TARBOX, DIVISION OF THE CLARK-RELiance CORPORATION. IT IS CONFIDENTIAL AND IS GIVEN TO YOU FOR A LIMITED PURPOSE AND MUST BE RETURNED UPON REQUEST. NEITHER THIS DRAWING NOR ANY PART OF IT NOR ANY INFORMATION CONCERNING IT MAY BE COPIED, EXHIBITED OR FURNISHED TO OTHERS NOR MAY PHOTOGRAPHS BE TAKEN OF ANY ARTICLE FABRICATED OR ASSEMBLED FROM THIS DRAWING WITHOUT CONSENT OF THE CLARK-RELiance CORPORATION.



PLAIN

STYLE S-100HP-600 (NF)

INDICATOR OPTIONS

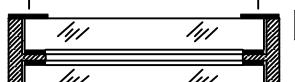
PARTS LIST

PIECE NO.	NAME OF PART	QUAN.	MATERIAL	COMMENTS
1	BODY	1	SEE BELOW	
2	RETAINER	2	STEEL	
3	CUSHION	2	FIBER	
4	SEAL GASKET	2		
5	WINDOW	2	BOROSILICATE	
6	BOLT	4	STEEL	
7	NUT	4	STEEL	
8	INDICATOR	1		

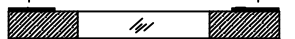
WINDOW OPTIONS
 DUAL UNIGLAS WINDOWS



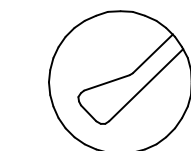
FULL VIEW DUAL WINDOWS



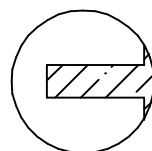
UNIGLAS WINDOW



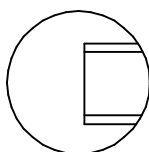
Factory Mutual System Approved



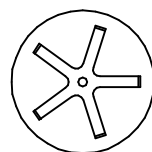
FLAPPER
 STYLE S-100HP-600



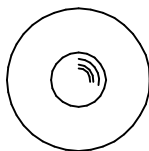
PTFE FLUTTER
 STYLE S-100HP-FLTR-600



DRIP TUBE
 STYLE S-200HP-600



PTFE ROTOR
 STYLE S-300HP-600



* BALL
 STYLE S-400HP-600

* S-400HP-600 HAS ONLY ONE WINDOW

STANDARD DESIGN MATERIALS:

BODY: ASTM A216-WCB (CARBON STEEL)

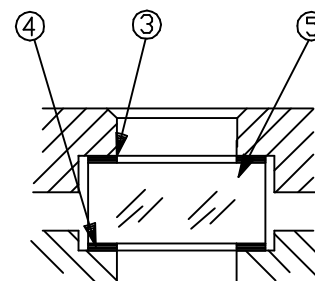
ASTM A351-CF8M (316 SS)

RETAINER: ASTM A516 GR70/A216-WCB (STEEL)

FASTENERS: SAE GR.5 (STEEL)

INDICATOR: 316 SS FLAP&DRIP / PTFE FLUTTER, ROTOR, BALL
 304/316 SS TRIM AVAILABLE

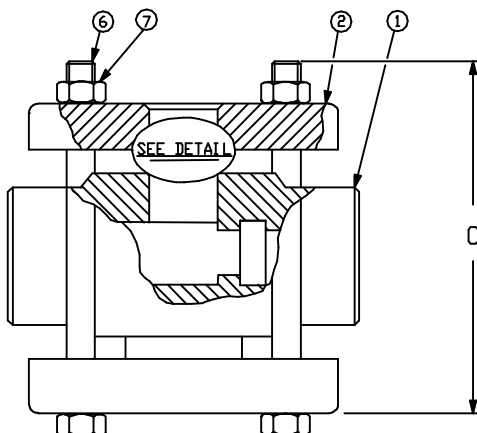
OPTIONAL ALLOYS FURNISHED UPON REQUEST



TYPICAL DETAIL

600# UNITS

TEMP F	P/T RATINGS	
	600 PSIG MODELS	
	STEEL	316 SS
-20 TO 100	600	600
150	600	600
200	600	600
250	600	600
300	600	600
350	600	600
400	600	600
450	600	600
500	600	600



DIMENSIONS

PIPE SIZE	A		B		C		APPROX. WGT.	
	IN.	mm	IN.	mm	IN.	mm	LBS.	KGS.
1/8 - 3/8	3.75	95	0.75	20	3.50	89	6	2.7
1/2 & 3/4	4.50	114	1.00	25	4.50	114	11	5.0
1	4.88	114	1.25	32	4.50	114	12	5.5
1-1/4 & 1-1/2	6.00	152	1.50	38	6.50	165	20	9.1
2	7.25	184	2.00	51	8.00	203	40	18.2