

MATERIAL: SEE B/M
 DRAWN: TFK
 CHECKED: DEP
 SCALE: NONE
 DATE: 9-15-95



SIGHT FLOW INDICATOR
 STYLE 100-S(T), 200-S(T), 300-S(T)

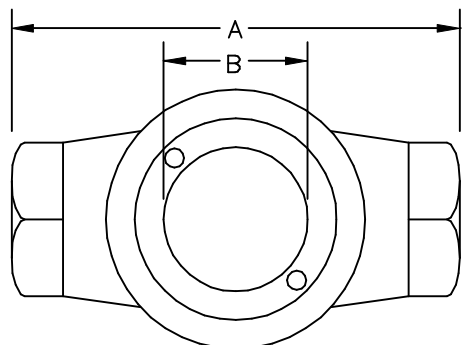
Section: T400
 Bulletin: T400.15
 Date: 09/01/03
 Supersedes: 12/01/00

150 PSIG MODELS

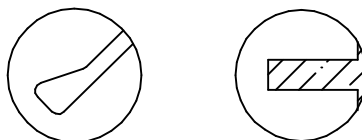
FILE NO.: T400-15.DWG

PARTS LIST

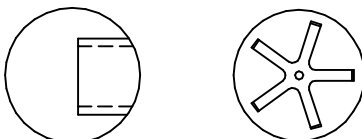
PIECE NO.	NAME OF PART	QUAN.	MATERIAL	COMMENTS
1	BODY	1	SEE BELOW	
2	RETAINER	2	SEE BELOW	
3	CUSHION	2	FIBER	
4	SEAL GASKET	2		
5	WINDOW	2	BOROSILICATE	
6	INDICATOR	1		



INDICATOR OPTIONS ⑥



FLAPPER PTFE FLUTTER
 STYLE 100-S(T) STYLE 100-S-FLTR(T)



DRIP TUBE PTFE ROTOR
 STYLE 200-S(T) STYLE 300-S(T)

*THE NEW 2" "ST" (STL & 316SS ONLY) HAS A THREADED RETAINER AND WILL BE USED FOR ALL 2" UNITS ORDERED

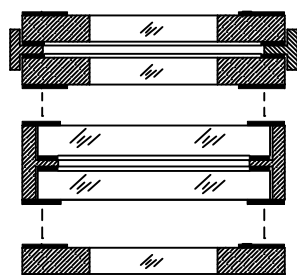
PLAIN
 STYLE 100-S (NF)

OPTIONS

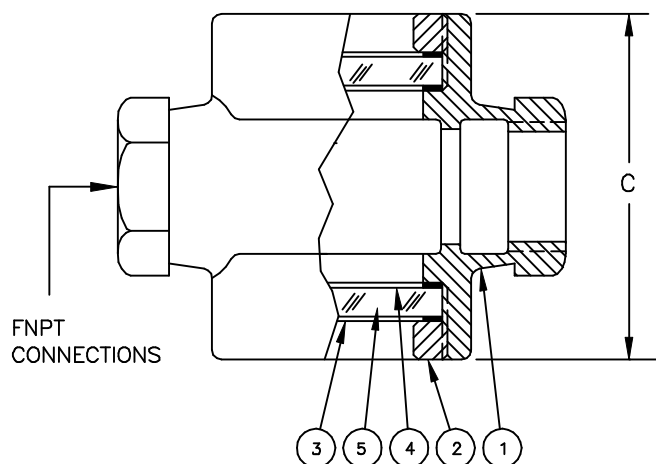
DUAL UNIGLAS WINDOWS

FULL VIEW DUAL WINDOWS

UNIGLAS WINDOW



Factory Mutual System Approved



PRESSURE/TEMP. RATINGS

TEMP F	150 PSIG MODELS		
	CS/316	BRONZE	IRON
-20 TO 100	150	150	150
150	150	150	150
200	150	150	150
250	150	150	150
300	150	150	150
350	150	150	150
400	150	150	140
450	150	N/R	N/R
500	150	N/R	N/R

STANDARD DESIGN MATERIALS:

BODY: ASTM A216-WCB (CARBON STEEL)

ASTM A351-CF8M (316 SS)

ASTM B62 (BRONZE)

ASTM A126 CLASS B (CAST IRON)

RETAINER: ASTM B16 H02 UNS C36000 (BRASS)

INDICATOR: 316 SS FLAP&DRIP , PTFE FLUTTER&ROTOR

OPTIONAL ALLOYS FURNISHED UPON REQUEST

316 SS TRIM AVAILABLE

SEE "-SFA" (T400.16) FOR 2" BRONZE & IRON UNITS

DIMENSIONS

PIPE SIZE	A		B		C		APPROX. WGT.	
	IN.	mm	IN.	mm	IN.	mm	LBS.	KGS.
1/8, 1/4, 3/8	3.00	76	.84	21	2.00	51	1.50	0.7
1/2 & 3/4	3.75	95	1.25	32	2.75	70	3.00	1.4
1	4.25	108	1.22	31	3.50	89	4.00	1.8
1-1/4 & 1-1/2	5.50	140	2.22	56	4.25	114	9.00	4
2 "ST"	6.25	159	2.22	56	4.75	121	11	5.1

THIS DRAWING AND ALL INFORMATION ON IT IS THE PROPERTY OF JACOBY-TARBOX, DIVISION OF THE CLARK-RELIANCE CORPORATION. IT IS CONFIDENTIAL AND IS GIVEN TO YOU FOR A LIMITED PURPOSE AND MUST BE RETURNED UPON REQUEST. NEITHER THIS DRAWING NOR ANY PART OF IT NOR ANY INFORMATION CONCERNING IT MAY BE COPIED, EXHIBITED OR FURNISHED TO OTHERS NOR MAY PHOTOGRAPHS BE TAKEN OF ANY ARTICLE FABRICATED OR ASSEMBLED FROM THIS DRAWING WITHOUT CONSENT OF THE CLARK-RELIANCE CORPORATION.