

MATERIAL: SEE B/M
 DRAWN: TFK CHECKED: DEP
 SCALE: NONE DATE: 9/15/95



OBROUND SIGHT WINDOW
 5300 PVQ ASME VIII SERIES

Section: T400
 Bulletin: T400.58
 Date: 09/01/03
 Supersedes: 12/01/00

150 PSIG MODELS

FILE NO.: T400-58.DWG

PARTS LIST

PIECE NO.	NAME OF PART	QUAN.	MATERIAL	COMMENTS
1	BODY	1	SEE BELOW	
2	GASKET	1		
3	RETAINER	1	STEEL	
4	WINDOW	1	BOROSILICATE	
5	STUD		STEEL	
6	NUT		STEEL	
7	CUSHION	1	FIBER	

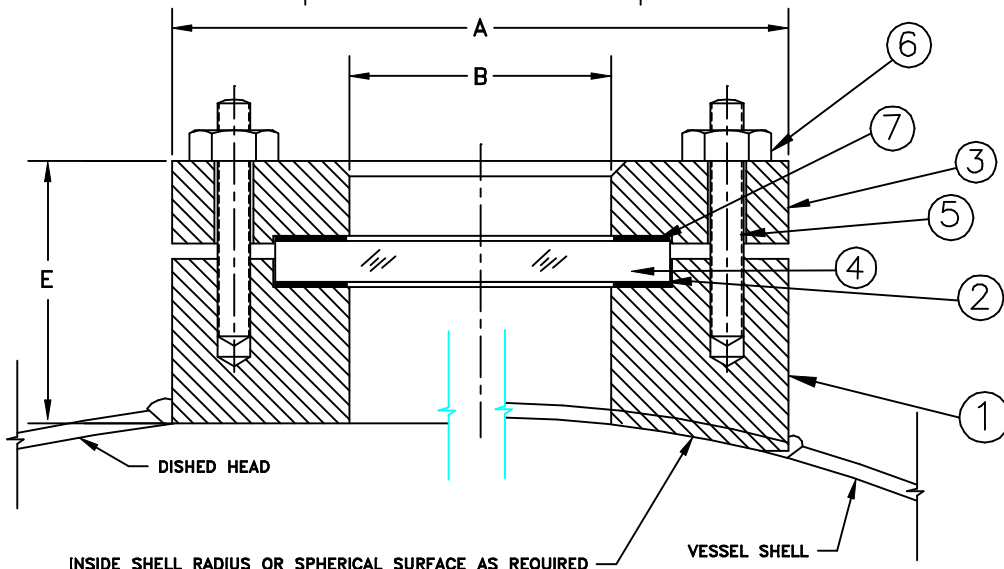
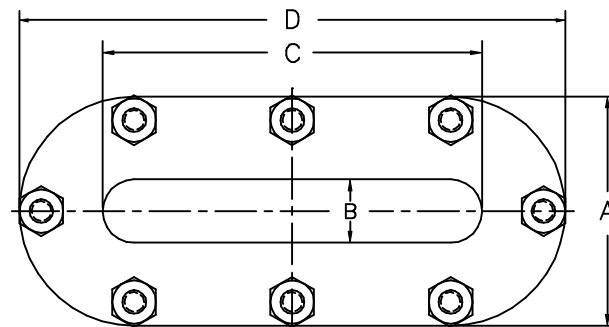
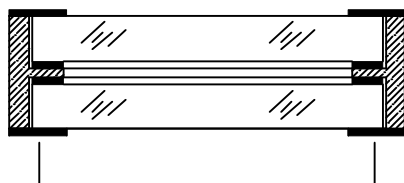
CONSTANT DIMENSIONS-SINGLE WINDOW

SIZE	CONSTANT DIMENSIONS-SINGLE WINDOW										DUAL WINDOW	
	A(IN)	A(mm)	B(IN)	B(mm)	C(IN)	C(mm)	D(IN)	D(mm)	E(IN)	E(mm)	E(IN)	E(mm)
1 X 6	3.63	92.2	1.00	25.4	6.00	152	8.63	219	2.16	54.9	2.81	71.4
2 X 12	5.00	127	2.00	50.8	12.00	305	15.00	381	2.40	61.0	3.06	77.7
3 X 12	6.00	152	3.00	76.2	12.00	305	16.00	406	2.81	71.4	3.69	93.7
3 X 18	6.00	152	3.00	76.2	18.00	457	22.00	559	2.81	71.4	3.69	93.7
4 X 24	7.00	178	4.00	102	24.00	610	28.00	711	3.16	80.3	4.19	106

THIS DRAWING AND ALL INFORMATION ON IT IS THE PROPERTY OF JACOBY-TARBOX, DIVISION OF THE CLARK-RELIANCE CORPORATION. IT IS CONFIDENTIAL AND IS GIVEN TO YOU FOR A LIMITED PURPOSE AND MUST BE RETURNED UPON REQUEST. NEITHER THIS DRAWING NOR ANY PART OF IT NOR ANY INFORMATION CONCERNING IT MAY BE COPIED, EXHIBITED OR FURNISHED TO OTHERS NOR MAY PHOTOGRAPHS BE TAKEN OF ANY ARTICLE FABRICATED OR ASSEMBLED FROM THIS DRAWING WITHOUT CONSENT OF THE CLARK-RELIANCE CORPORATION.

OPTIONS

FULL VIEW DUAL WINDOWS



# OF STUDS	
SIZE	STUDS
1 X 6	8
2 X 12	12
3 X 12	12
3 X 18	14
4 X 24	22

PRESSURE/TEMP. RATINGS		
TEMP F	150 PSIG MODELS	
	STEEL	316 SS
-20 TO 100	150	150
150	150	150
200	150	150
250	150	150
300	150	150
350	150	150
400	150	150
450	150	150
500	150	150

STANDARD DESIGN MATERIALS:

- BODY: ASTM/ASME SECTION II SA516-70 (STEEL)
- ASTM/ASME SECTION II SA240 (316 SS)
- RETAINER: ASTM/ASME SECTION II SA516-70 (STEEL)
- FASTENERS: ASTM A193-B7/A194-2H (STEEL)
- 304/316 SS TRIM AVAILABLE

OPTIONAL ALLOYS FURNISHED UPON REQUEST
 MIN. PAD THICKNESS "C" IS CALCULATED PER UG-44 FOR BOLTED FLANGE AND STUDDED CONNECTIONS. THE CLIENT IS RESPONSIBLE FOR VERIFICATION THAT THE WELD PAD THICKNESS WILL MEET THE PERFORMANCE REQUIREMENTS OF THE APPLICATION

- MODELS: 5300 PVQ (FLAT PAD)
- MODELS: 5300 PVQ-CYL (PIPE RADIUS)