

MATERIAL: SEE B/M
 DRAWN: TFK
 SCALE: NONE
 CHECKED: DEP
 DATE: 9/15/95



SIGHT WINDOW
 5200 (COMMERCIAL) SERIES
 NON-ASME APPLICATIONS ONLY

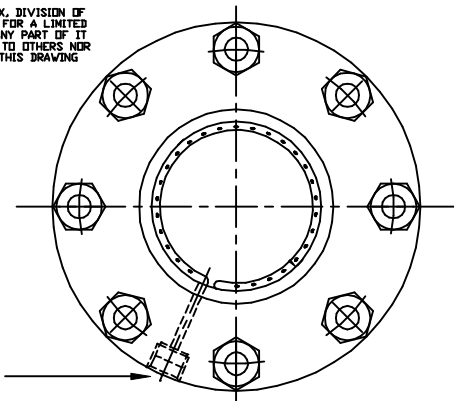
Section: T400
 Bulletin: T400.55
 Date: 09/01/03
 Supersedes: 12/01/00

150 PSIG MODELS

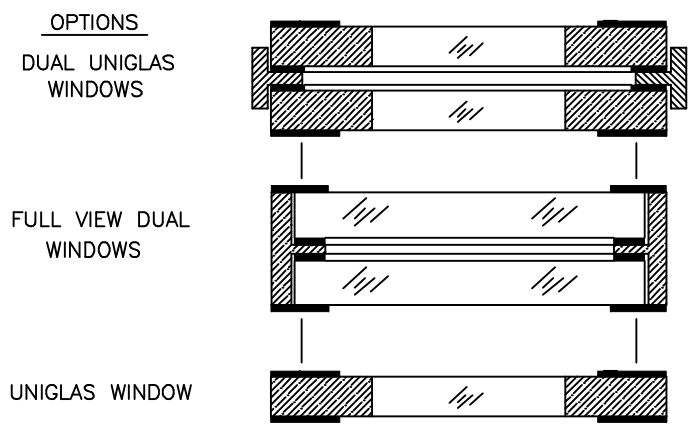
FILE NO.: T400-55.DWG

CONSTANT DIMENSIONS					150 LB.	
SIZE	A(IN)	A(mm)	B(IN)	B(mm)	C(IN)	C(mm)
#2	3.31	84	1.25	32	1.75	45
#3	4.44	113	2.00	64	1.81	46
#4	5.56	141	2.56	65	2.13	54
#5	6.56	166	3.19	81	2.13	54
#6	7.56	192	4.25	108	2.13	54
#7	8.69	221	5.25	133	2.50	64
#8	10.31	262	6.88	175	2.50	64

THIS DRAWING AND ALL INFORMATION ON IT IS THE PROPERTY OF JACOBY-TARBOX, DIVISION OF THE CLARK-RELANCE CORPORATION. IT IS CONFIDENTIAL AND IS GIVEN TO YOU FOR A LIMITED PURPOSE AND MUST BE RETURNED UPON REQUEST. NEITHER THIS DRAWING NOR ANY PART OF IT NOR ANY INFORMATION CONCERNING IT MAY BE COPIED, EXHIBITED OR FURNISHED TO OTHERS NOR MAY PHOTOGRAPHS BE TAKEN OF ANY ARTICLE FABRICATED OR ASSEMBLED FROM THIS DRAWING WITHOUT CONSENT OF THE CLARK-RELANCE CORPORATION.

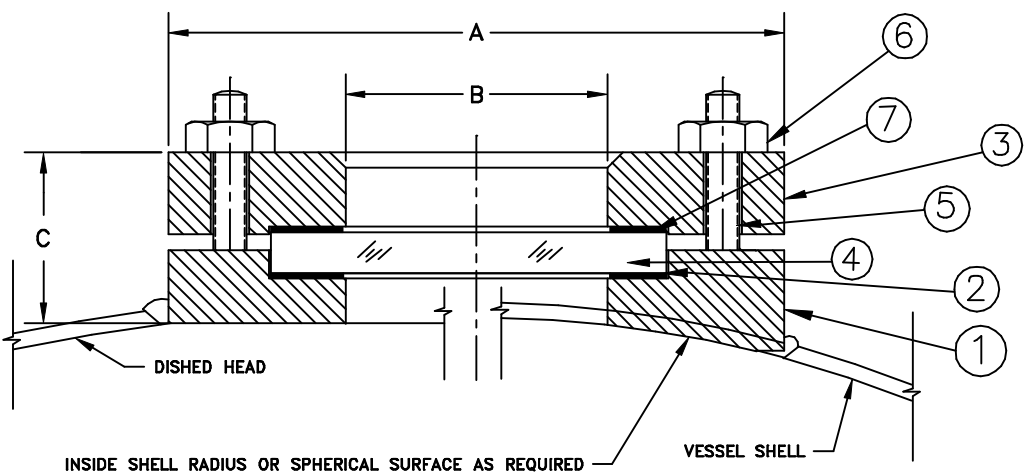


# OF STUDS	
SIZE	STUDS
#2	4
#3	6
#4	6
#5	6
#6	6
#7	6
#8	8



1/4" FNPT
 RETAINER PATTERN SHOWN WITH OPTIONAL SPRAY RING

PARTS LIST				
PIECE NO.	NAME OF PART	QUAN.	MATERIAL	COMMENTS
1	BODY	1	SEE BELOW	
2	GASKET	1		
3	RETAINER	1	STEEL	
4	WINDOW	1	BOROSILICATE	
5	STUD		STEEL	
6	NUT		STEEL	
7	CUSHION	1	FIBER	



PRESSURE/TEMP RATINGS			
TEMP F	150 PSIG MODELS		
	STEEL	316 SS	304 SS
-20 TO 100	150	150	150
150	150	150	150
200	150	150	150
250	150	150	150
300	150	150	150
350	150	150	150
400	150	150	150
450	150	150	150
500	150	150	150

STANDARD DESIGN MATERIALS:

BODY: ASTM A516-70, A216-WCB, A106 (STEEL)
 ASTM A240, A351-CF8M (316 SS)

RETAINER: ASTM A516-70 (STEEL)

FASTENERS: CARBON STEEL WELD STUD AND NUT

304/316 SS TRIM AVAILABLE

OPTIONAL ALLOYS FURNISHED UPON REQUEST

- MODEL: 5200 (FLAT PAD)
- MODEL: 5200-CYL (PIPE RADIUS)
- MODEL: 5200-SPH (DISHED SPHERICAL)