



PHAETON XTL TANK LIGHT

Section: T400
Bulletin: T400.112
Date: 11/01/07
Supersedes: NEW

DRAWN: FWK | DATE: 11/01/07 | SCALE: NONE | FILE: T400-112.DWG

HOW TO SPECIFY⁽¹⁾ THE PHAETON XTL BY PART NUMBER

NOTE:
EXAMPLE IS A 6" PHAETON WITH ANNOIDIZED ALUMINUM RING, 120 VAC POWER SUPPLY WITH 8' OF CONNECTING CORDS AND ZINC PLATED MOUNTING SET FOR .875" TO 1.25" THICK RETAINER.

TIK-PH-6L-01-01-2C

RING SIZE
4=4" LIGHT
6=6" LIGHT

LIGHT HOUSING
L=ANNOIDIZED ALUMINUM (STD)
S=STAINLESS STEEL

POWER SUPPLY
01=120 VAC
02=240 VAC

TOTAL CORD LENGTH
01=8'/2.5M (STANDARD)
02=24'/7.5M
03=40'/12.5M
04=56'/17.5M
05=72'/22.5M

BRACKET OPTION
1=FOR RETAINER THICKNESS .500" TO .875" (12.7mm TO 22.2mm)
2=FOR RETAINER THICKNESS OVER .875" TO 1.25" (22.2mm TO 31.8mm)
9=SPECIAL

BRACKET MATERIAL
C=ZINC PLATED STEEL BRACKET SET (STANDARD)
S=ALL STAINLESS STEEL BRACKET SET

THIS DRAWING AND ALL INFORMATION ON IT IS THE PROPERTY OF THE CLARK-RELiance CORPORATION. IT IS CONFIDENTIAL AND IS GIVEN TO YOU FOR A LIMITED PURPOSE AND MUST BE RETURNED UPON REQUEST. NEITHER THIS DRAWING NOR ANY PART OF IT NOR ANY INFORMATION CONCERNING IT MAY BE COPIED, EXHIBITED OR FURNISHED TO OTHERS NOR MAY PHOTOGRAPHS BE TAKEN OF ANY ARTICLE FABRICATED OR ASSEMBLED FROM THIS DRAWING WITHOUT CONSENT OF THE CLARK-RELiance CORPORATION.

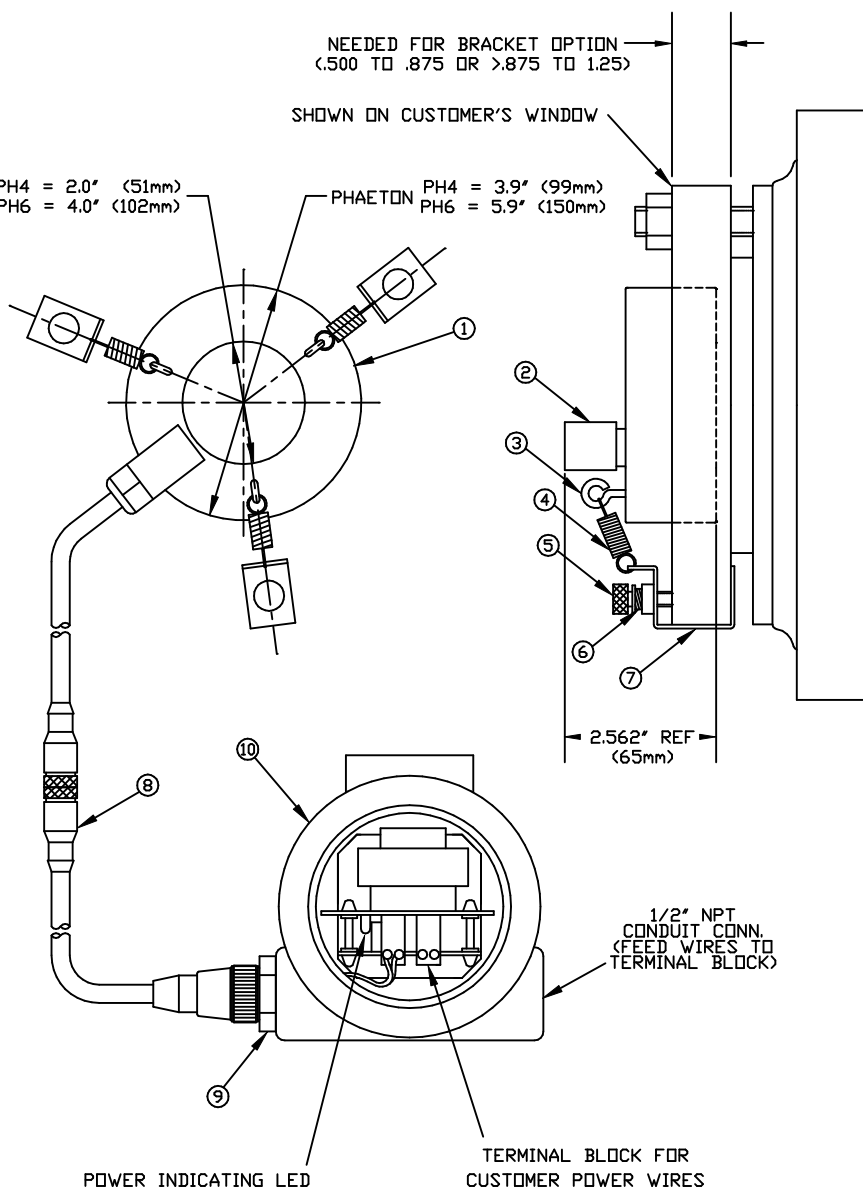
NEEDED FOR BRACKET OPTION
(.500 TO .875 OR >.875 TO 1.25)

SHOWN ON CUSTOMER'S WINDOW

PHAETON PH4 = 2.0" (51mm)
PH6 = 4.0" (102mm)

PHAETON PH4 = 3.9" (99mm)
PH6 = 5.9" (150mm)

ITEM	NAME OF PART	QTY.	MATERIAL (STANDARD)
1	LED HOUSING	1	ANNOIDIZED ALUMINUM
2	CORD GRIP	1	PLASTIC
3	EYE BOLT	3	ZINC PLATED
4	SPRING	3	ZINC PLATED
5	THUMB SCREW	3	ANNOIDIZED ALUMINUM
6	SCREW SPRING	3	ZINC PLATED STEEL
7	BRACKET	3	STAINLESS STEEL
8	CORDESET	1	PVC COATED SHIELDED CABLE
9	EXP. PROOF RECEPTACLE	1	STAINLESS STEEL
10	ENCLOSURE	1	EPOXY COATED ALUMINUM



PHAETON XTL SPECIFICATIONS

POWER SUPPLY INPUT: 120/240 VAC @ 50/60 Hz

POWER OUTPUT: 12.3 VDC (500 MA)

POWER CONSUMPTION: <1.0 AMP @ 120 VAC
<0.5 AMP @ 240 VAC

ESTIMATED LIFE: 100,000 HOURS (CONTINUOUS)

ELECTRICAL CONNECTION: 1/2" NPT (FEMALE)

WIRE SIZE: MIN. 18 AWG / MAX. 12 AWG

MAX. DISTANCE FROM POWER SUPPLY TO LIGHT: 72' (22.5M)

AMBIENT TEMP.: -40°F (-40°C) TO 122°F (50°C)

AGENCY APPROVALS: NEMA 4, NEMA 4X
FM APPROVED FOR
CLASS I, DIV. 1, GROUPS B, C, D & T4
CLASS II, DIV. 1, GROUPS E, F, G & T4
INTRINSICALLY SAFE OUTPUT



(1) IMPORTANT:
PLANT SAFETY ENGINEER IS RESPONSIBLE FOR DETERMINING SUITABILITY OF THE UNIT IN ANY PARTICULAR HAZARDOUS LOCATION. JACOBY-TARBOX IS A REGISTERED TRADEMARK OF THE CLARK-RELiance CORP.