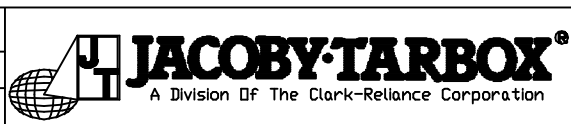


MATERIAL: SEE B/M
 DRAWN: TFK
 CHECKED: DEP
 SCALE: NONE
 DATE: 09/15/95

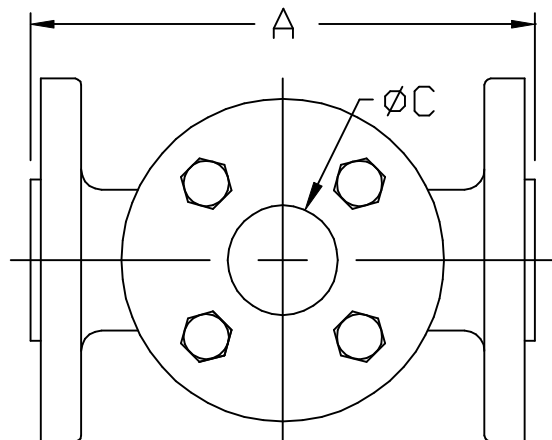


SIGHT FLOW INDICATOR
 STYLE 910-FA-TFE & 608-FA-TFE
 TEFLON LINED

Section: T400
 Bulletin: T400.06
 Date: 12/01/90
 Supersedes: 11/10/98

150 ASME CLASS MODELS

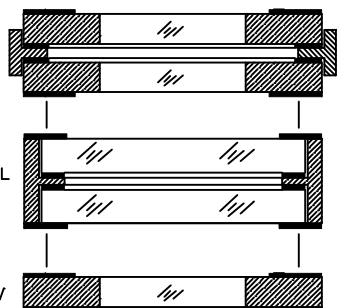
FILE NO.: T400-06.DWG



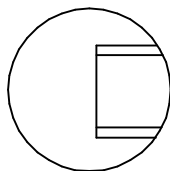
STYLE 910-FA-TFE (NF)

7
 INDICATOR OPTIONS

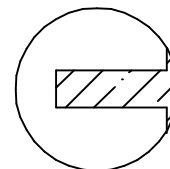
- OPTIONS**
- DUAL UNIGLAS WINDOWS
 - FULL VIEW DUAL WINDOWS
 - UNIGLAS WINDOW



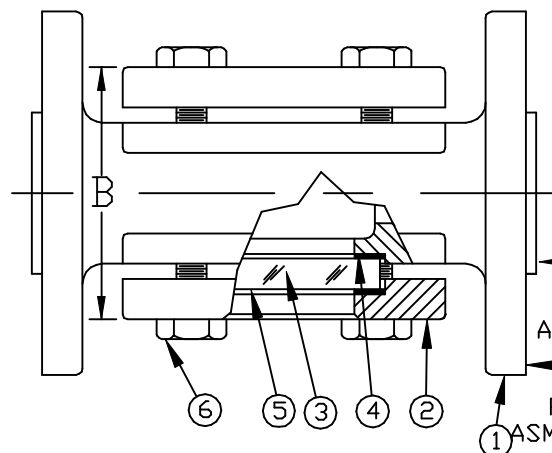
Factory Mutual System
 Approved



DRIP TUBE
 STYLE 608-FA-TFE



PTFE FLUTTER
 STYLE 910-FA-TFE-FLTR



PTFE LINING RF TO ASME B16.5 150# RF DIMS

FACED AND DRILLED TO ASME B16.1 CL125 FF DIMS

PARTS LIST

PIECE NO.	PART NAME	QUAN.	MATERIAL	COMMENTS
1	BODY	1	D.IRON/PTFE	
2	RETAINER	2	STEEL	
3	WINDOW	2	BOROSILICATE	
4	GASKET	2		
5	CUSHION	2	FIBER	
6	BOLT		STEEL	
7	FLUTTER	1	PTFE	
7	DRIP TUBE	1	PTFE	

THIS DRAWING AND ALL INFORMATION ON IT IS THE PROPERTY OF JACOBY-TARBOX, DIVISION OF THE CLARK-RELIANCE CORPORATION. IT IS CONFIDENTIAL AND IS GIVEN TO YOU FOR A LIMITED PURPOSE AND MUST BE RETURNED UPON REQUEST. NEITHER THIS DRAWING NOR ANY PART OF IT NOR ANY INFORMATION CONCERNING IT MAY BE COPIED, EXHIBITED OR FURNISHED TO OTHERS NOR MAY PHOTOGRAPHS BE TAKEN OF ANY ARTICLE FABRICATED OR ASSEMBLED FROM THIS DRAWING WITHOUT CONSENT OF THE CLARK-RELIANCE CORPORATION.

ASME CLASS P/T RATINGS

TEMP F	150 CLASS		
	D. IRON	STEEL	316 SS
-20 TO 100	250	285	275
150	242	270	260
200	235	260	240
250	225	245	230
300	215	230	215
350	207	215	205
400	200	200	195
450	185	185	180
500	170	170	170

STANDARD DESIGN MATERIALS:

BODY: ASTM A395 60-40-18 (DUCTILE IRON)
 PTFE LINING: ASTM F423-82

RETAINER: ASTM A105 (STEEL)
 FASTENERS: ASTM A354-BD (STEEL)

INDICATOR: PTFE FLUTTER & DRIP

304/316 SS TRIM AVAILABLE
 NOT SUITABLE FOR VACUUM SERVICE

OPTIONAL BODY MATERIALS AVAILABLE AS SPECIALS
 ASTM A587/A53 (STEEL)
 ASTM A312 (316 SS)

ADD 1/8" TO "A" DIMENSION FOR DRIP TUBE STYLE

SIZE	DIMENSIONS						WEIGHT		# BOLTS
	A		B		C		LBS	Kg	
	IN	mm	IN	mm	IN	mm			
1	7.00	178	5.00	127	1.31	33	14	6.4	8
1-1/2	8.00	203	6.31	160	1.94	49	22	10.0	8
2	9.00	229	7.31	186	2.38	60	32	14.5	8
3	11.00	279	8.81	224	3.50	89	53	24.1	8
4	13.00	330	10.44	265	4.50	114	88	40.0	16
6	16.00	406	13.50	343	6.00	152	138	62.7	16
8	18.00	457	17.88	454	8.62	219	225	102	16
10	22.00	559	21.50	546	10.75	273	365	166	16