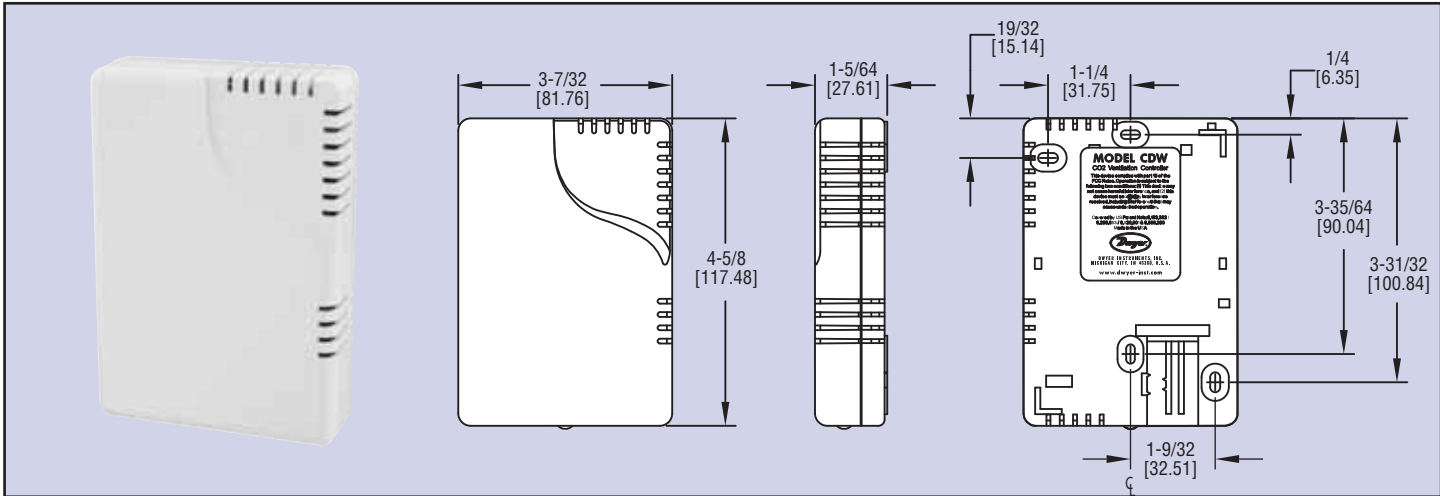




Series
CDW

Wall Mount Carbon Dioxide/Temperature Transmitter

Measure up to 2000 PPM, NDIR Sensor



The Series CDW Wall Mount Carbon Dioxide/Temperature Transmitter combines accurate CO₂ measurements with a passive temperature output. The Non-Dispersive Infrared (NDIR) sensor continuously updates the calibration through a proprietary logic feature which limits the amount of error due to drift. The CDW series is ideal for building automation systems to help control the fresh air intake in a room.

Model CDW, Wall Mount CO₂/Temperature Transmitter
Model CDW-LED, Standard Model with LED Option

SPECIFICATIONS

Range: 0 to 2000 PPM CO₂.

Accuracy: ±100 PPM @ 22°C.

Temperature Dependence: 0.2% FS per °C Stability
< 2% of FS mover life of sensor.

Non-linearity: < 1% of FS.

Pressure Dependence: 0.13% of reading per mm of Hg.

Response Time: 3 to 5 minutes for 90% step change.

Ambient Operating Temperature: 32 to 122°F (0 to 50°C).

Storage Temperature: -4 to 158°F (-20 to 70°C).

Power Requirements: 18 - 30 VAC RMS 50/60 Hz, 18 to 42 VDC polarity protected.

Power Consumption: 1.75 VA average 3.25 VA peak.

Sensor: Non-Dispersive Infrared Sensor.

Output: 0 to 10 VDC for CO₂; 20K Ohm NTC Thermistor for temperature.

Weight: 0.5 lb (227 g).

Agency Approval: CE.