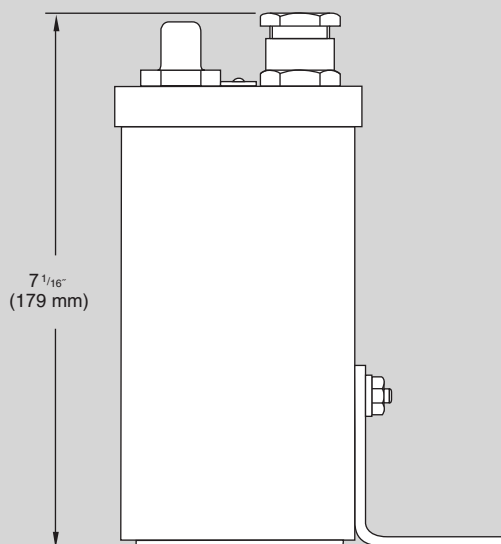
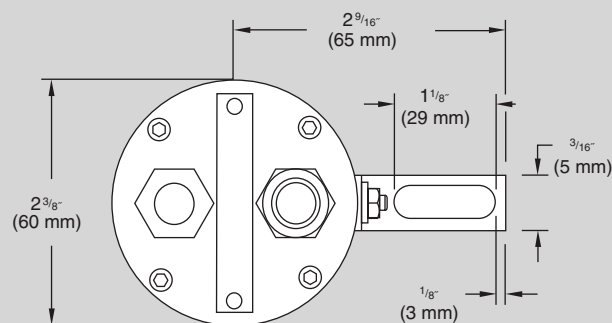


2 7/8"
(73 mm)2 3/8"
(60 mm)**HiLED**4"
(102mm)**MINI SIGHTLIGHTS
SERIES MSL-HI-LED****SERIES MSL-HI-LED**

The UL-1571 Listed Series MSL-HI-LED utilizes the most advanced high intensity LED technology available. The Series MSL-HI-LED "Light Engine" was developed specifically designed to offer the same brilliant illumination as a 100 Watt Halogen Lamp and it is not a simple off the counter LED lamp. The MSL-HI-LED Series also features a heavy wall T304 SST housing and gasketed joints - making the MSL-HI-LED the brightest, longest lasting, heavy duty, corrosion resistant UL Listed light Fixture we ever offered.

110/120V or 220/240V.

MSL-HI-LED-00 | 110/120V**MSL-HI-LED-01** | 220/230V**OTHER FEATURES:**

BRIGHTER: The Series HI-LED produces **22% MORE LIGHT INTENSITY** [i.e. Candle Power/LUX/Lumens] than a standard 100 Watt Halogen lamp.

MORE EFFICIENT [“GREENER”]: The Series HI-LED operates on **93% LESS ELECTRICITY** than a 100 Watt Halogen Lamp. An average yearly savings of 812 Kilowatts per year.

LONG LAMP LIFE: The Series HI-LED provides users with approximately 35,000 ~ 40,000 hours of life [approx. 4 years] vs. 1,000 Lamp life for halogen. [Results in significant savings when calculating the labor and bulb cost of frequent halogen lamp changes].

LOWER OVERALL COST OF OWNERSHIP: The higher purchase price of our Series HI-LED Illuminators is quickly paid back from the the longer lamp life and electric usage. We estimate that the additional up-front cost of the Series HI-LED Illuminators will be paid back after 5 Months of usage and that the HI-LED will conservatively save its owner approximately 812kw each and every year [based on a two 8 Hr Shift work day]

OPERATES COOL: The Series HI-LED does not generate the excessive heat that a 100 Watt halogen lamp does. The HI-LED technology runs cool and can operate continuously without overheating the electronics and burning out the lamp. Also, HI-LED Fixtures do not transmit heat into sight glass or vessel which might a negative effect on some applications

MORE ROBUST: The Series HI-LED fixtures are not affected by vibration or [reasonable] impacts because there is no filament! HI-LED are also resistant to heat, dust, and surface oils.

PURE VISION: The Series HI-LED fixtures emit a bright white light [high color temp]. Unlike with Halogen Lamps there no 'yellow' tint. They also have an even beam spread with no "dull" spots.

HIGH-INTENSITY LED LIGHTING