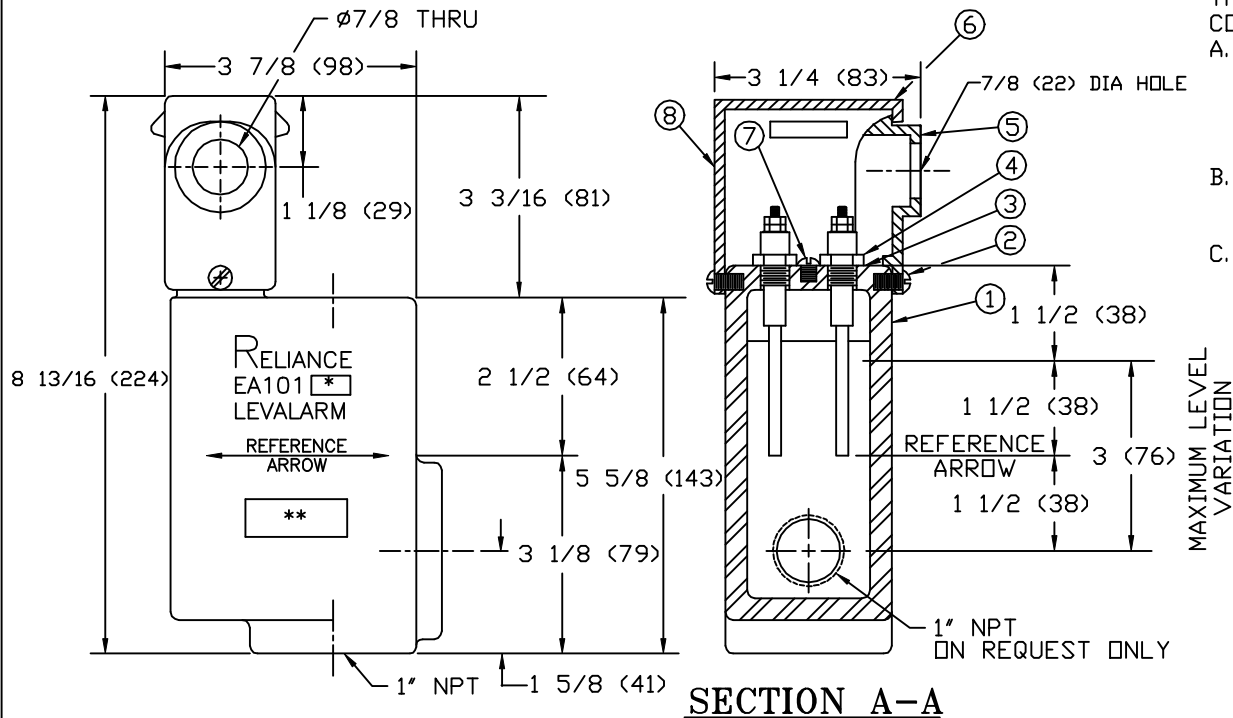
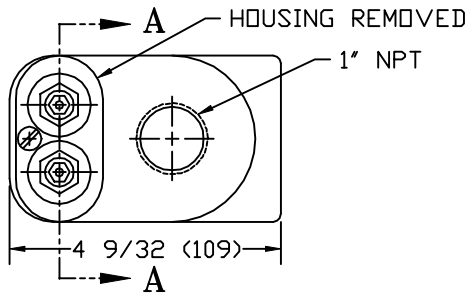


BILL OF MATERIAL

ITEM	P/N	QTY	DESCRIPTION	MAT'L	DWG NO
1	EA101D 1	1	BODY	STEEL	A-13764
2	X172993	2	RD HD MACH SCREW 12-24X3/8	STEEL	
3	WCM 13	2	ELECTRODE FITTING GASKET		
4	EA15 5T	2	ELECTRODE FITTING		
5	EA15R 22	1	CONDUIT BRACKET	ALUMINUM	B-8697
6	EA100 18	1	ELECTRODE FITTING HOUSING	ALUMINUM	B-8697
7	X172990	1	COMMON CONN. SCREW, 12-24X1/4	STEEL	
8	X174610	1	LEVALARM NAME PLATE	ALUMINUM	A-7863



NOTE ON APPLICATION:

THIS EA101 LEVALARM CAN BE USED FOR THE FOLLOWING CONTROL AND ALARM FUNCTIONS:

- A. WITH ONE PROBE AND ONE RELAY, EITHER:
 1. HIGH ALARM
 2. LOW ALARM
 3. FUEL CUTOFF
 4. LOW ALARM AND FUEL CUTOFF (SAME LEVEL)
- B. WITH TWO PROBES AND ONE RELAY
 1. PUMP CONTROL (FOR LEVEL DIFFERENTIALS UP TO 3")
- C. WITH TWO PROBES AND TWO RELAYS, EITHER:
 1. DUAL FUEL CUTOFF
 2. LOW ALARM AND FUEL CUTOFF (DIFFERENT LEVELS)

NOTE ON LETTERING:

- * STAMP "D" ON BODY (EA101D LEVALARM)
- ** PRESSURE BLOCK TO BE STAMPED:
 350 WSP FOR EA101D LEVALARM STEAM SERVICE
 1000 PSI FOR EA101D LEVALARM TANK SERVICE

LOCATE PROBE LEVELS WITH RESPECT TO REFERENCE ARROW

HYDROTEST: 1500 PSI

MATERIAL: SEE TABLE

DRAWN: BSL CHECKED:
 SCALE: NONE DATE: 9/28/95

REV. 7 PER CDC 95-127/BSL

CLARK-RELIANCE CORP.
STRONGSVILLE, OHIO, U.S.A.

PART NO.: EA101D

EA101D LEVALARM
 ASSEMBLY

TOLERANCE CLASS: N/A

DRAWING
 NUMBER:

B-8917

REV.

7