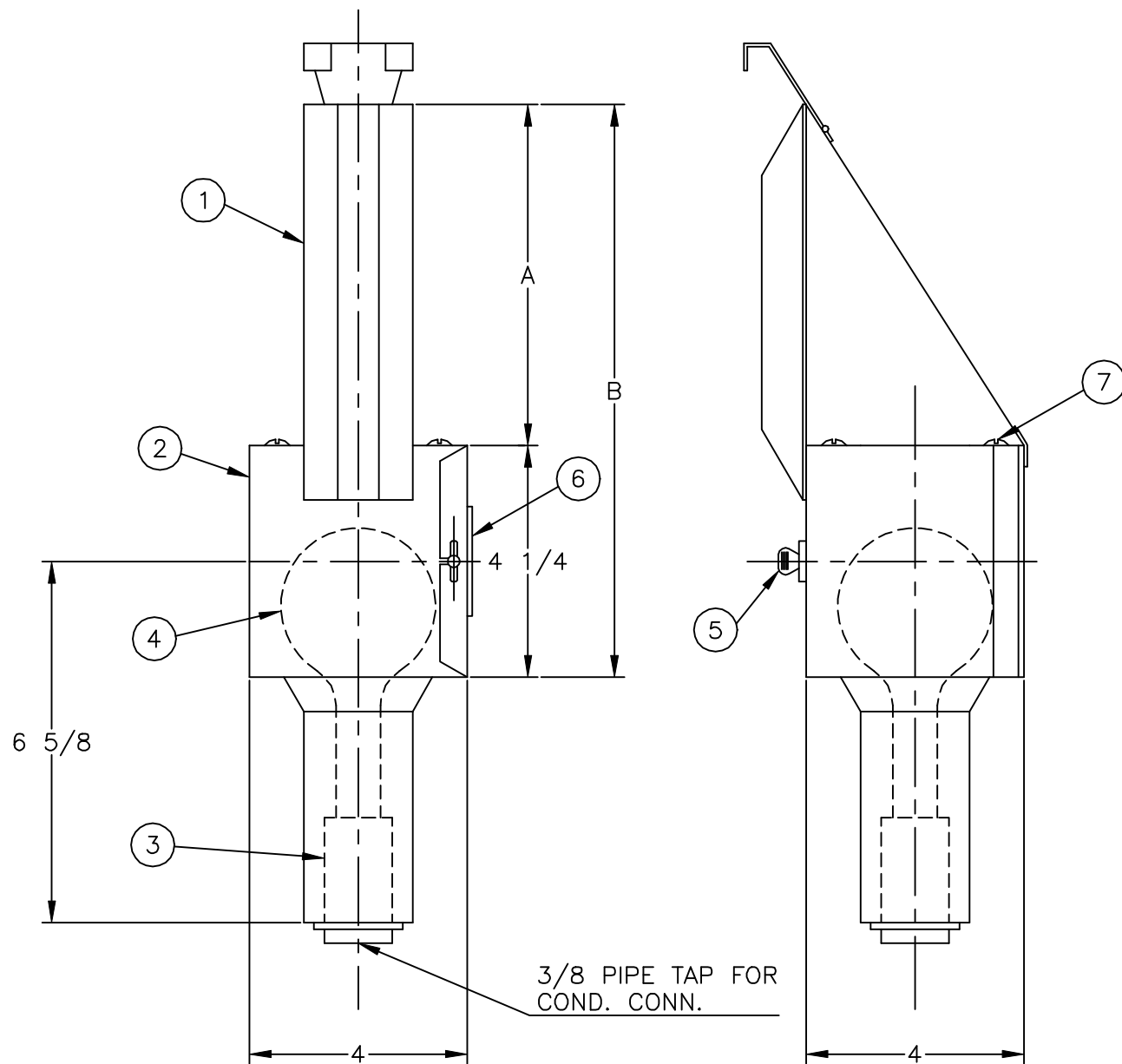


BILL OF MATERIAL

ITEM	QUAN.	PART NO.	DESCRIPTION
1	1	SEE TABLE	REFLECTOR HOUSING
2	1	GI40-21V	LAMP HOUSING
3	1	GL53-7R	SOCKET, LEVITON
4	1	GI40-22L	CLEAR LAMP (150W-230V.)
5	1	E11-7	WING SCREW
6	1	FG40-8	NAME PLATE
7	4	GI40-13	10-24 X 3/8 RHBM SCREW



ILLUMINATOR	A	B	REF. HOUSING NO.
FG50V	7	10 1/2	GI40-20
FG60V	8	11 1/2	GI50-20
FG70V	9	12 1/2	GI60-20
FG80V	10	13 1/2	GI70-20
FG90V	11	14 1/2	GI80-20
FG1505V	7	10 1/2	GI40-20
FG1506V	8	11 1/2	GI50-20
FG1507V	9	12 1/2	GI60-20
FG1508V	10	13 1/2	GI70-20
FG1509V	11	14 1/2	GI80-20

UNLESS OTHERWISE NOTED:
 TOLERANCES (?)
 DECIMAL & STOCK (.002)
 FIN. FRACTIONAL (UP TO 1", NOT INCL.) (.010)
 FIN. FRACTIONAL (1" INCL., UP TO 3") 1/64
 FIN. FRACTIONAL (3" INCL., UP TO 6") 1/32
 FIN. FRACTIONAL (6" INCL., UP TO 12") 1/16
 FIN. FRACTIONAL (12" & OVER) 1/8
 ANGLES 1?
 MACHINE FINISH- 125√ DR SMOOTHER
 REMOVE BURRS AND SHARP EDGES

THE CLARK-RELIANCE CORP.
 STRONGSVILLE, OHIO
 STANDARD VERTICAL
 ILLUMINATOR FOR FLAT
 GLASS GAGES

MATERIAL
 DRAWN FAS SCALE NONE
 CHKD. DATE 5-10-93
 DRAWING NO. REV.
 A-12531 2

REV	DESCRIPTION	DATE	SIG
	REVISIONS		