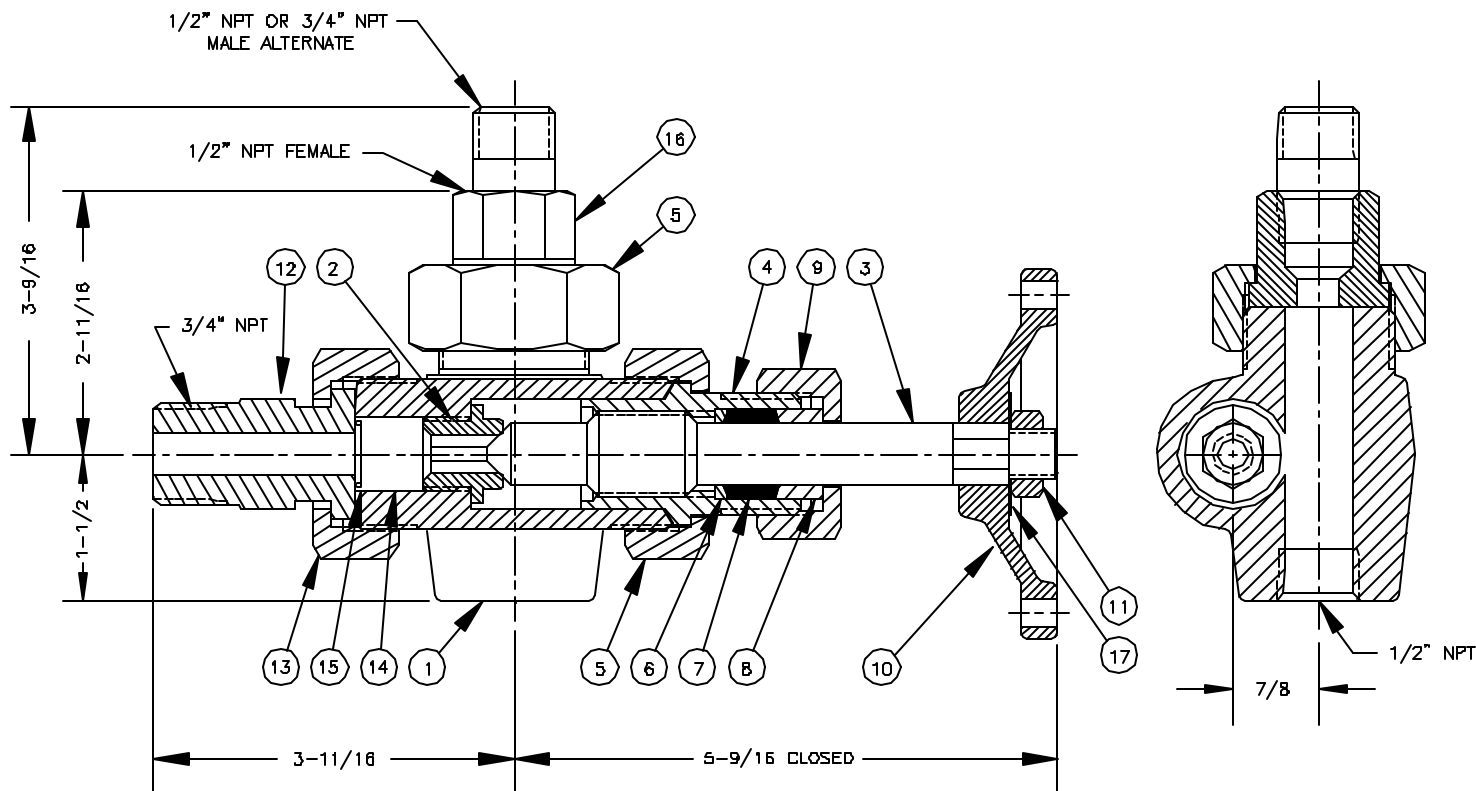


BILL OF MATERIAL

PIECE NO.	NAME OF PART	QTY.	67-1-02-A			67-1-02-T		
			MATERIAL	PART NO.	REMARKS	MATERIAL	PART NO.	REMARKS
1	VALVE BODY TOP	1	STEEL	V-1806-A5	ASTM A105	316L SS	V-1806-TL1	ASTM A182
	VALVE BODY BCT.			V-1807-A5			V-1807-TL1	
2	SEAT	1	416 SS	P-125-U3	QQ-S-763	316 SS	P-125-T2	QQ-S-763
3	STEM	1	416 SS	S-121-U3	QQ-S-763	316 SS	S-121-T2	QQ-S-763
4	SLEEVE	1	STEEL	P-182-A6	ASTM A108	316 SS	P-182-T2	ASTM A276
5	NUT-SLEEVE, TAILPIECE	2	STEEL	P-70-6-A6	ASTM A108	STEEL	P-70-6-A6	ASTM A108
6	PACKING RING	1	STEEL	P-254-1-A6	ASTM A108	316 SS	P-254-1-T2	QQ-S-763
7	PACKING	4	GPH/NICR	G-259		GPH/NICR	G-259	
8	GLAND	1	STEEL	P-39-A6	ASTM A108	STEEL	P-39-A6	ASTM A108
9	NUT-GLAND	1	STEEL	P-70-3-A6	ASTM A108	STEEL	P-70-3-A6	ASTM A108
10	HANDWHEEL	1	MAL. IRON	PD-325-D1		MAL. IRON	PD-325-D1	
11	NUT-STEM	1	STEEL	P-78-6-A12	ASTM A563	STEEL	P-78-6-A12	ASTM A563
12	TAILPIECE, 3/4" MALE ADJ.	1	STEEL	V-12009-A6	ASTM A108	316 SS	V-12009-T2	ASTM A276
13	NUT-TAILPIECE	1	STEEL	P-70-48-A6	ASTM A108	STEEL	P-70-48-A6	ASTM A108
14	BALL CHECK	1	440 SS	P-1-I		316 SS	P-1-T2	
15	BALL CHECK STOP	1	316 SS	V-13113-T		316 SS	V-13113-T	
16	TAILPIECE, 1/2" FEMALE	1	STEEL	P-198-A6	ASTM A108	316 SS	P-198-T2	ASTM A276
	TAILPIECE, 1/2" MALE			P-400-A6			P-400-T2	
	TAILPIECE, 3/4" MALE			P-120-A6			P-120-T2	
17	RATING TAG	1	SS	V-8981-67		SS	V-18716-67	

NOTES.

- TOP & BOTTOM VALVES SAME EXCEPT OPPOSITE HANDING.  
TOP VALVE IS 67-1-01  
BOTTOM VALVE IS 67-1-02 (SHOWN)
- VALVE RATING - CARBON STEEL & 316 SS  
4000 PSI @ 100°F, 1500 PSI @ 750°F
- TAILPIECE CENTERLINE MAY BE POSITIONED A MAXIMUM OF 5/64" OFF THE VALVE CENTERLINE.



12	REDRAWN & UPDATED	7/7/98	
11	REDRAWN & UPDATED	7/15/96	
10	REDRAWN & UPDATED	3/15/96	
9	REDRAWN & UPDATED	8/8/92	
SYM	REVISION	DATE	APP

#67 VALVE P/C  
UNION TANK CONN.

**JERGUSON**  
**GAGE & VALVE CO.**  
STRONGSVILLE, OHIO, U.S.A.

DRAWN	FILE NO.
TAP	DRAWING NO.
CHECKED	67-1-02
MJK	
APPROVED	REV. 12

SCALE NONE DATE 7/7/98