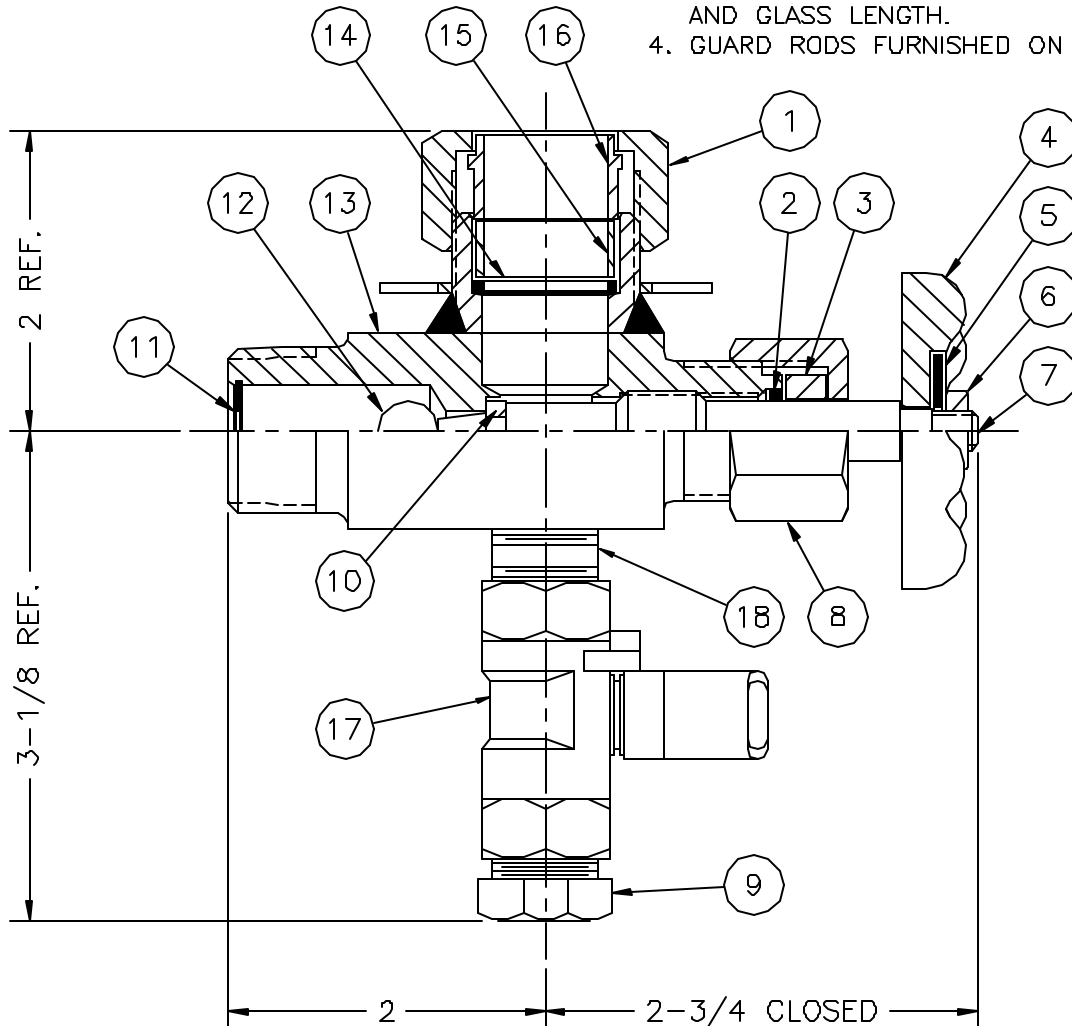


BILL OF MATERIAL

PIECE NO.	NAME OF PART	QTY.	125-2- -A			125-2- -T		
			MATERIAL	PART NO.	REMARKS	MATERIAL	PART NO	REMARKS
1	GLASS PACKING NUT	1	STEEL	V-18841-A6	ASTM A108	316 SS	V-18841-T2	ASTM A108
2	STEM PACKING WASHER	1	316 SS	X174282		316 SS	X174282	
3	STEM PACKING	1	KEVLAR/GPH	V-18843		KEVLAR/GPH	V-18843	
4	HANDWHEEL	1	ALUMINUM	V-18851		ALUMINUM	V-18851	
5	TAG	1	SS	V-18877		SS	V-18877	
6	STEM NUT	1	STEEL	P-5674-A		STEEL	P-5674-A	
7	STEM	1	416 SS	V-18837-U		316 SS	V-18837-TL2	
8	PACKING NUT	1	STEEL	V-18840-A6	ASTM A108	316 SS	V-18840-T	QQ-S-763
9	PLUG	1	STEEL	P-772-A	ASTM A105	316 SS	P-772-T1	
10	VALVE WASHER	1	TEFLON	V-18844		TEFLON	V-18844	
11	BALL CHECK STOP	1	410 SS	X177300		410 SS	X177300	
12	BALL CHECK	1	316 SS	V-18852		316 SS	V-18852	
13	1/2" NPT BODY	1	STEEL	S-22111-1-A		316 SS	S-22111-1-T	
	3/4" NPT BODY	1	STEEL	S-22111-2-A		316 SS	S-22111-2-T	
14	BOTTOM WASHER	1	304 SS	V-13936-R		304 SS	V-13936-R	
15	5/8" GLASS PACKING	1	EPDM	V-18845-1		EPDM	V-18845-1	
	3/4" GLASS PACKING	1	EPDM	V-18848-1		EPDM	V-18848-1	
16	5/8" PACKING GLAND	1	STEEL	V-18839-A6	ASTM A108	316 SS	V-18839-TL2	QQ-S-763
	3/4" PACKING GLAND	1	STEEL	V-18838-A6		316 SS	V-18838-TL2	
17	DRAIN VALVE (OPTIONAL)	1	STEEL	V-18878-A5		316 SS	V-18878-TL1	
18	3/8" CLOSE NIPPLE	1	STEEL	P-8536-1-A46		316 SS	P-8536-1-T15	

NOTES:

1. VALVE RATING- CARBON STEEL
MAX. 500 PSI @ 450°F
35.2 KG/CM² @ 232°C
2. VALVE RATING- 316 STAINLESS STEEL
MAX. 500 PSI @ 450°F
35.2 KG/CM² @ 232°C
3. PRESSURE RATING VARIES WITH TEMPERATURE AND GLASS LENGTH.
4. GUARD RODS FURNISHED ON REQUEST.



3	ADDED NOTE 4	6/1/98		#125 VALVE NON-UNION TANK CONN.	JERGUSON GAGE & VALVE CO. STRONGSVILLE, OHIO, U.S.A.	DRAWN	FILE NO.
2	MODIFIED DIMENSIONS	7/15/97				CHECKED	DRAWING NO.
1	REDRAWN, ADDED DIMENSIONS	7/15/96				APPROVED	B125-2-
SYM	REVISION	DATE	APP	SCALE NONE	DATE 7/15/96	REV. 3	