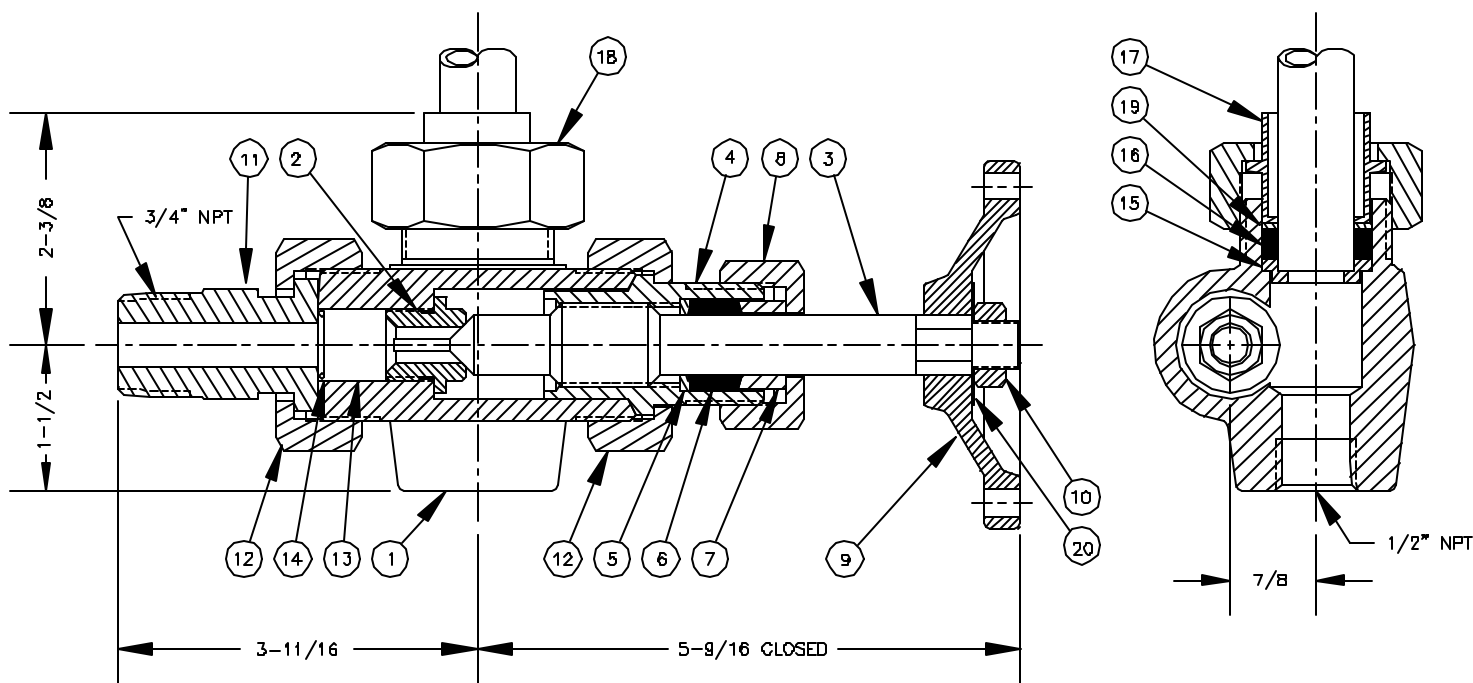


BILL OF MATERIAL								
			56-1-6-02-A			56-1-6-02-T		
PIECE NO.	NAME OF PART	QTY.	MATERIAL	PART NO.	REMARKS	MATERIAL	PART NO.	REMARKS
1	VALVE BODY-TOP	1	STEEL	V-11200-A5	ASTM A105	316L SS	V-11200-TL1	ASTM A182
	VALVE BODY-BOT.			V-11201-A5	ASTM A105		V-11201-TL1	ASTM A182
2	SEAT	1	416 SS	P-125-U3	QQ-S-763	316 SS	P-125-T2	QQ-S-763
3	STEM	1	416 SS	S-121-U3	QQ-S-763	316 SS	S-121-T2	QQ-S-763
4	SLEEVE	1	STEEL	P-182-A6	ASTM A108	316 SS	P-182-T2	ASTM A276
5	PACKING RING	1	STEEL	P-254-1-A6	ASTM A108	316 SS	P-254-1-T2	QQ-S-763
6	PACKING	4	GPH/NICR	G-259		GPH/NICR	G-259	
7	GLAND	1	STEEL	P-39-A6	ASTM A108	STEEL	P-39-A6	ASTM A108
8	NUT-GLAND	1	STEEL	P-70-3-A6	ASTM A108	STEEL	P-70-3-A6	ASTM A108
9	HANDWHEEL	1	MAL. IRON	PD-325-D1		MAL. IRON	PD-325-D1	
10	NUT-STEM	1	STEEL	P-78-6-A12	ASTM A563	STEEL	P-78-6-A12	ASTM A563
11	TAILPIECE, 3/4" MALE ADJ	1	STEEL	V-12009-A6	ASTM A108	316 SS	V-12009-T2	ASTM A276
12	NUT-TAILPIECE	2	STEEL	P-70-48-A6	ASTM A108	STEEL	P-70-48-A6	ASTM A108
13	BALL CHECK	1	440 SS	P-1-I		316 SS	P-1-T2	
14	BALL CHECK STOP	1	316 SS	V-13113-T		316 SS	V-13113-T	
15	RING-GLASS-TOP	1	STEEL	P-1155-3-A6	ASTM A108	316 SS	P-1155-3-T2	ASTM A276
	RING-GLASS-BOT			P-1173-3-A6	ASTM A108		P-1173-3-T2	QQ-S-763
16	PACKING	1	BLUNA-N	G-24		BLUNA-N	G-24	
17	GLAND-GLASS	1	STEEL	V-11208-A6	ASTM A108	316 SS	V-11208-T2	ASTM A276
18	NUT-GLAND	1	STEEL	P-70-6-A6	ASTM A108	STEEL	P-70-6-A6	ASTM A108
19	GASKET	1	TEFLON	V-11211		TEFLON	V-11211	
20	RATING TAG	1	SS	V-8981-56		SS	V-18716-56	

NOTES

- TOP & BOTTOM VALVES SAME EXCEPT OPPOSITE HANDING. TOP VALVE IS 56-1-6-02. BOTTOM VALVE IS 56-1-6-02 (SHOWN)
- GUARD ROD OR PLASTIC TUBULAR PROTECTORS FURNISHED ON REQUEST.



11	REDRAWN & UPDATED	10/16/98	
10	REDRAWN & UPDATED	7/15/96	
9	REDRAWN & UPDATED	3/15/96	
8	REDRAWN & UPDATED	8/3/92	
SYM	REVISION	DATE	APP

#56 OFFSET VALVE P/C  
3/4" GAGE GLASS  
UNION TANK CONN.

**JERGUSON**  
**GAGE & VALVE CO.**  
STRONGSVILLE, OHIO, U.S.A.

DRAWN	FILE NO.
TAP	DRAWING NO.
CHECKED	56-1-6-02
MJK	
APPROVED	REV. 11

SCALE NONE DATE 10/16/98