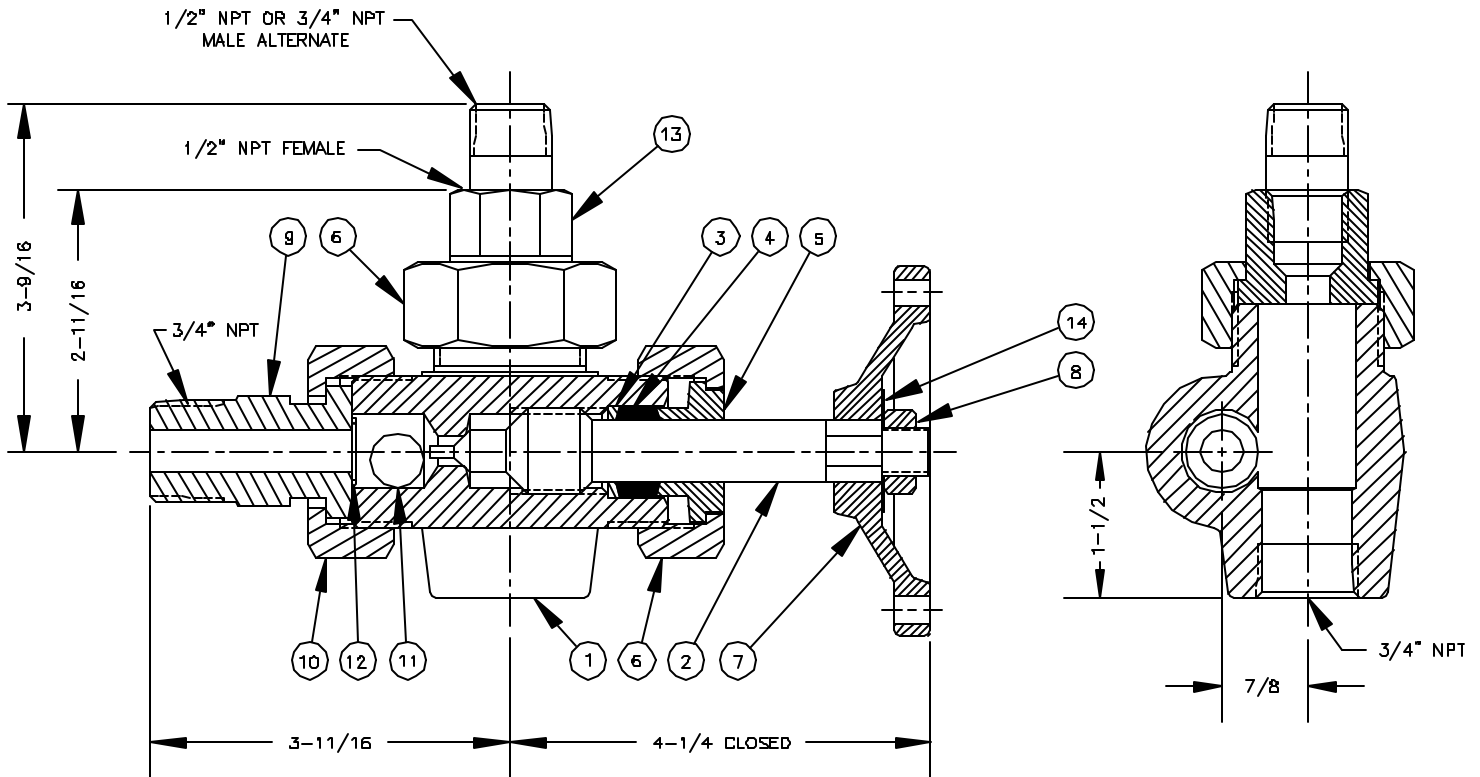


BILL OF MATERIAL

		147-1-02-A			147-1-02-T			
PIECE NO.	NAME OF PART	QTY.	MATERIAL	PART NO.	REMARKS	MATERIAL	PART NO.	REMARKS
1	VALVE BODY TOP	1	STEEL	V-10164-A5	ASTM A105	316L SS	V-10164-TL1	ASTM A182
	VALVE BODY BOT.			V-10165-A5			V-10165-TL1	
2	STEM	1	416 SS	V-11955-U3	QQ-S-763	316 SS	V-11955-TL2	QQ-S-763
3	PACKING RING	1	STEEL	P-254-1-A6	ASTM A108	316 SS	P-254-1-T2	QQ-S-763
4	PACKING	3	GPH/NICR	G-259		GPH/NICR	G-259	
5	GLAND	1	STEEL	V-10167-AB	ASTM A108	STEEL	V-10167-A6	ASTM A108
6	NUT-GLAND, TAILPIECE	2	STEEL	P-70-6-A6	ASTM A108	STEEL	P-70-6-A6	ASTM A108
7	HANDWHEEL	1	MAL IRON	PD-325-D1		MAL. IRON	PD-325-D1	
8	NUT-STEM	1	STEEL	P-78-6-A12	ASTM A563	STEEL	P-78-6-A12	ASTM A563
9	TAILPIECE, 3/4" MALE ADJ.	1	STEEL	V-12009-A6	ASTM A108	316 SS	V-12009-T2	ASTM A276
10	NUT-TAILPIECE	1	STEEL	P-70-48-A6	ASTM A108	STEEL	P-70-48-A6	ASTM A108
11	BALL CHECK	1	440 SS	P-1-I		316 SS	P-1-T2	
12	BALL CHECK STOP	1	316 SS	V-13113-T		316 SS	V-13113-T	
13	TAILPIECE, 1/2" FEMALE	1	STEEL	P-198-A6	ASTM A108	316 SS	P-198-T2	ASTM A276
	TAILPIECE, 1/2" MALE			P-400-A6			P-400-T2	
	TAILPIECE, 3/4" MALE			P-120-A6			P-120-T2	
14	RATING TAG	1	SS	V-8981-147		SS	V-18716-147	

NOTES:

- TOP & BOTTOM VALVES SAME EXCEPT OPPOSITE HANDING. TOP VALVE IS 147-1-01
BOTTOM VALVE IS 147-1-02 (SHOWN)
- VALVES HAVE INTEGRAL SEAT.
- VALVE RATING - CARBON STEEL & 316 SS
2400 PSI @ 100°F, 1400 PSI @ 750°F
- TAILPIECE CENTERLINE MAY BE POSITIONED A MAXIMUM OF 5/64" OFF THE VALVE CENTERLINE.



12	REDRAWN & UPDATED	7/7/98	
11	REDRAWN & UPDATED	7/15/96	
10	REDRAWN & UPDATED	3/15/96	
9	REDRAWN & UPDATED	8/5/92	
SYM	REVISION	DATE	APP

#147 VALVE P/C
UNION TANK CONN.

**JERGUSON
GAGE & VALVE CO.
STRONGSVILLE, OHIO, U.S.A.**

DRAWN	FILE NO.
TAP	DRAWING NO.
CHECKED	147-1-02
MJK	
APPROVED	REV. 12

SCALE NONE DATE 7/7/98