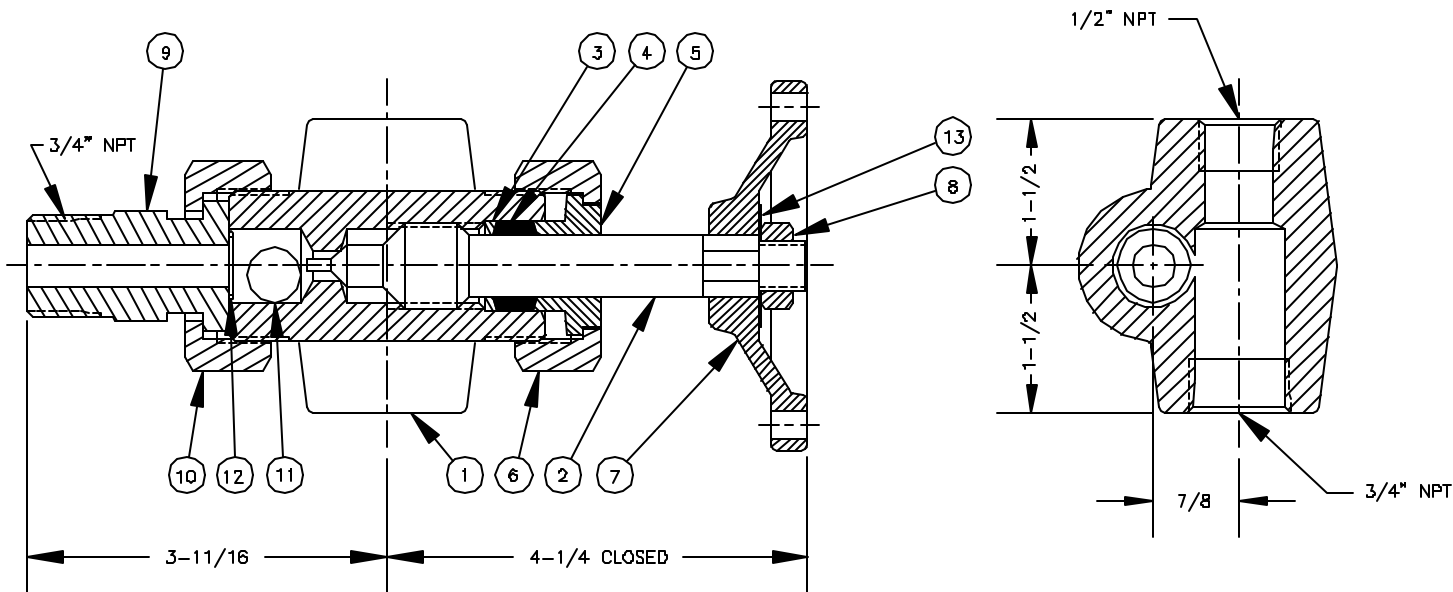


BILL OF MATERIAL

		146-1-02-A				146-1-02-T			
PIECE NO.	NAME OF PART	QTY.	MATERIAL	PART NO.	REMARKS	MATERIAL	PART NO.	REMARKS	
1	VALVE BODY TOP	1	STEEL	V-10337-A5	ASTM A105	316L SS	V-10337-TL1	ASTM A182	
	VALVE BODY BCT.			V-10338-A5			V-10338-TL1		
2	STEM	1	416 SS	V-11955-U3	QQ-S-763	316 SS	V-11955-TL2	QQ-S-763	
3	PACKING RING	1	STEEL	P-254-1-A6	ASTM A108	316 SS	P-254-1-T2	QQ-S-763	
4	PACKING	3	GPH/NICR	G-259		GPH/NICR	G-259		
5	GLAND	1	STEEL	V-10167-AB	ASTM A108	STEEL	V-10167-A6	ASTM A108	
6	NUT-GLAND	1	STEEL	P-70-6-A6	ASTM A108	STEEL	P-70-6-A6	ASTM A108	
7	HANDWHEEL	1	MAL IRON	PD-325-D1		MAL. IRON	PD-325-D1		
8	NUT-STEM	1	STEEL	P-78-6-A12	ASTM A563	STEEL	P-78-6-A12	ASTM A563	
9	TAILPIECE, 3/4" MALE ADJ.	1	STEEL	V-12009-A6	ASTM A108	316 SS	V-12009-T2	ASTM A276	
10	NUT-TAILPIECE	1	STEEL	P-70-48-A6	ASTM A108	STEEL	P-70-48-A6	ASTM A108	
11	BALL CHECK	1	440 SS	P-1-I		316 SS	P-1-T2		
12	BALL CHECK STOP	1	316 SS	V-13113-T		316 SS	V-13113-T		
13	RATING TAG	1	SS	V-8981-146		SS	V-18716-146		

NOTES:

- TOP & BOTTOM VALVES SAME EXCEPT OPPOSITE HANDING. TOP VALVE IS 146-1-01
BOTTOM VALVE IS 146-1-02 (SHOWN)
- VALVES HAVE INTEGRAL SEAT.
- VALVE RATING - CARBON STEEL & 316 SS
2400 PSI @ 100°F, 1400 PSI @ 750°F
- TAILPIECE CENTERLINE MAY BE POSITIONED A MAXIMUM OF 5/64" OFF THE VALVE CENTERLINE.



11	REDRAWN & UPDATED	7/7/98	
10	REDRAWN & UPDATED	7/15/96	
9	REDRAWN & UPDATED	3/15/96	
8	REDRAWN & UPDATED	8/5/92	
SYM	REVISION	DATE	APP

#146 VALVE P/C
UNION TANK CONN.

JERGUSON
GAGE & VALVE CO.
STRONGSVILLE, OHIO, U.S.A.

SCALE NONE DATE 7/7/98

DRAWN TAP	FILE NO.
CHECKED MJK	DRAWING NO.
APPROVED	146-1-02
	REV. 11