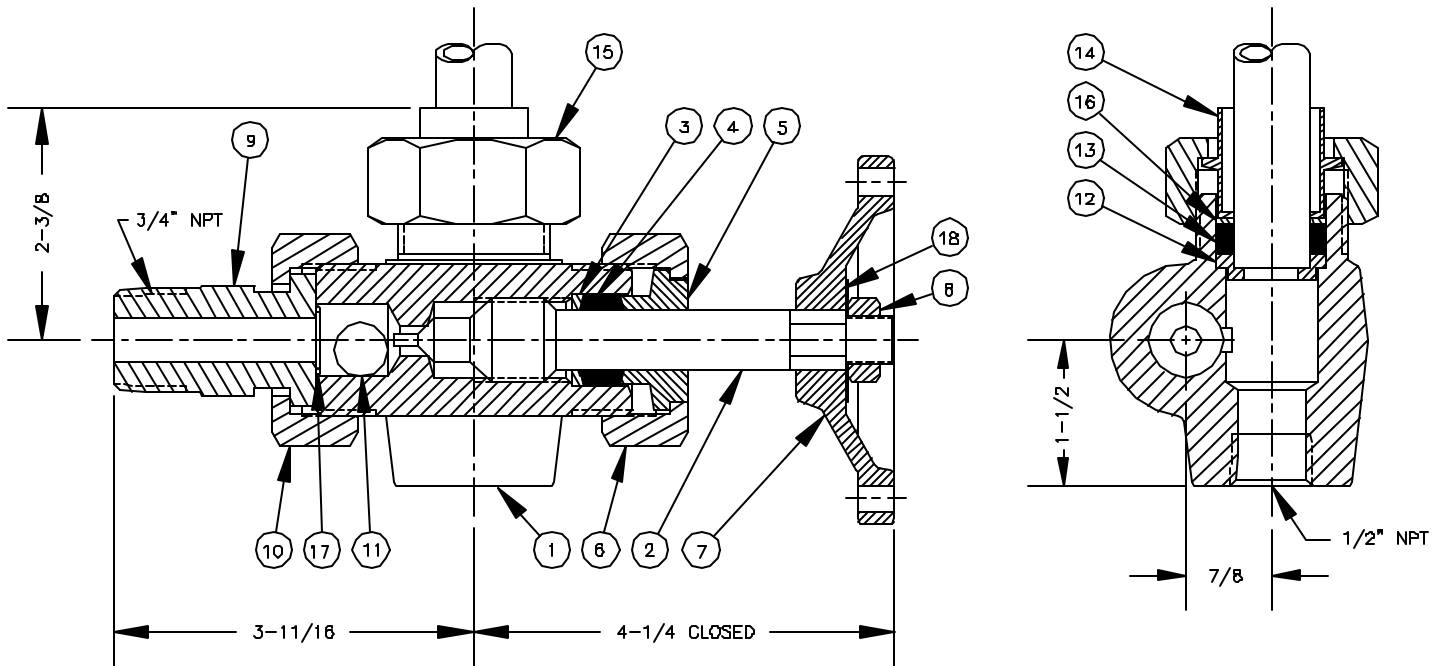


BILL OF MATERIAL

PIECE NO.	NAME OF PART	QTY.	136-1-6-02-A			136-1-6-02-T		
			MATERIAL	PART NO.	REMARKS	MATERIAL	PART NO.	REMARKS
1	VALVE BODY & SEAT-TOP	1	STEEL	V-10184-A5	ASTM A105	316L SS	V-10184-TL1	ASTM A182
	VALVE BODY & SEAT-BOT.			V-10183-A5	ASTM A105		V-10183-TL1	ASTM A182
2	STEM	1	416 SS	V-11955-U3	QQ-S-763	316 SS	V-11955-TL2	QQ-S-763
3	PACKING RING	1	STEEL	P-254-1-A6	ASTM A108	316 SS	P-254-1-T2	QQ-S-763
4	PACKING	3	GPH/NICR	G-259		GPH/NICR	G-259	
5	GLAND	1	STEEL	V-10167-A6	ASTM A108	STEEL	V-10167-A6	ASTM A108
6	NUT-GLAND	1	STEEL	P-70-6-A6	ASTM A108	STEEL	P-70-6-A6	ASTM A108
7	HANDWHEEL	1	MAL IRON	PD-325-D1		MAL IRON	PD-325-D1	
8	NUT-STEM	1	STEEL	P-78-6-A12	ASTM A563	STEEL	P-78-6-A12	ASTM A563
9	TAILPIECE, 3/4" MALE ADJ	1	STEEL	V-12009-A6	ASTM A108	316 SS	V-12009-T2	ASTM A276
10	NUT-TAILPIECE	1	STEEL	P-70-48-A6	ASTM A108	STEEL	P-70-48-A6	ASTM A108
11	BALL CHECK	1	440 SS	P-1-1		316 SS	P-1-T2	
12	RING-GLASS-TOP	1	STEEL	P-1155-3-A6	ASTM A108	316 SS	P-1155-3-T2	ASTM A276
	RING-GLASS-BOT.			P-1173-3-A6	ASTM A108		P-1173-3-T2	QQ-S-763
13	PACKING	1	BUNA-N	G-24		BUNA-N	G-24	
14	GLAND-GLASS	1	STEEL	V-11208-A6	ASTM A108	316 SS	V-11208-T2	ASTM A276
15	NUT-GLAND	1	STEEL	P-70-6-A6	ASTM A108	STEEL	P-70-6-A6	ASTM A108
16	GASKET	1	TEFLON	V-11211		TEFLON	V-11211	
17	BALL CHECK STOP	1	316 SS	V-13113-T		316 SS	V-13113-T	
18	RATING TAG	1	SS	V-8981-136		SS	V-18716-136	

NOTES:

- TOP & BOTTOM VALVES SAME EXCEPT OPPOSITE HANDING. TOP VALVE IS 136-1-6-01
BOTTOM VALVE IS 136-1-6-02 (SHOWN)
- GUARD ROD OR PLASTIC TUBULAR PROTECTORS FURNISHED ON REQUEST.
- VALVES HAVE INTEGRAL SEAT.



11	REDRAWN & UPDATED	10/14/98	
10	REDRAWN & UPDATED	7/15/96	
θ	REDRAWN & UPDATED	3/15/96	
g	REDRAWN & UPDATED	7/29/92	
SYM	REVISION	DATE	APP

#136 OFFSET VALVE P/C
3/4" GAGE GLASS
UNION TANK CONN.

**JERGUSON
GAGE & VALVE CO.
STRONGSVILLE, OHIO, U.S.A.**

SCALE NONE DATE 10/14/98

DRAWN	FILE NO.
TAP	DRAWING NO.
CHECKED	136-1-6-02
CEL	
APPROVED	REV. 11