



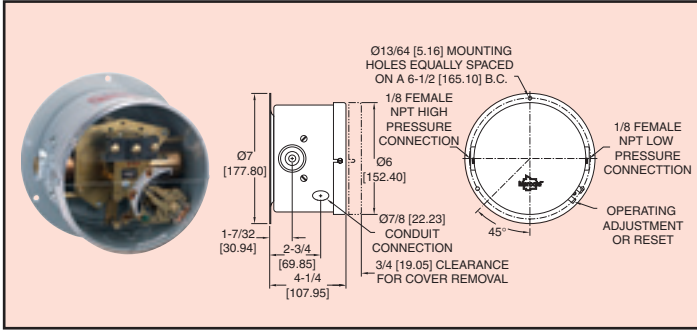
Series DP

# Double Bellows Differential Pressure Switches

Visible Setpoints, Adjustable or Fixed Deadband . . . High Pressure Ranges



Pressure



**Two opposing bellows** combine maximum sensitivity and vibration resistance with moderate cost in the Series DP differential pressure switches. Both set and reset points are easily adjustable through non-interactive, externally accessible controls. Visible set-point indicators simplify changes. SPDT snap action or mercury switch, 316 stainless steel or brass bellows, flanged steel housing. Rated pressures to 600 psig.

### OPTIONAL ENCLOSURES

**Weatherproof Housing** — to order add “W” suffix after DPA.  
 Example: D P A W – 7033-153-61

**Explosion-Proof Housing** — to order add “E” suffix after DPA.  
 Example: D P A E – 7033-153-61

### STOCKED MODELS in bold

Bellows Material	Range psid (bar)	Max. Press psig (bar)	Snap Action Switch SPDT, 15A @ 120/240 VAC		Snap Action Switch SPDT, 15A @ 120/240 VAC		Mercury Switch* SPDT, 4A @ 120V, 2A @ 240V, AC/DC.		
			Min. D.B. psid	Model Number	Fixed D.B. psid (bar)	Model Number	Min. D.B. psid (bar)	Model Number	
Brass	0-10 (0-0.7)	50 (3.5)	1.5 (.10)	<b>DPA-7033-153-61</b>	0.5 (.03)	DPS-7233-153-61	1.0 (.07)	<b>DPA-33-153-61</b>	
Brass	0-20 (0-1.4)	100 (6.9)	2.5 (.17)	<b>DPA-7033-153-62</b>	1.0 (.07)	DPS-7233-153-62	1.5 (.10)	<b>DPA-33-153-62</b>	
Brass	0-30 (0-2.1)	300 (20.7)	6.0 (.41)	<b>DPA-7033-153-64</b>	1.5 (.10)	DPS-7233-153-64	3.0 (.21)	<b>DPA-33-153-64</b>	
316SS	0-20 (0-1.4)	100 (6.9)	3.0 (.21)	DPA-7043-153-62E	1.5 (.10)	DPS-7243-153-62E	2.0 (.14)	DPA-43-153-62E	
316SS	0-30 (0-2.1)	300 (20.7)	6.0 (.41)	DPA-7043-153-64E	2.0 (.14)	DPS-7243-153-64E	3.5 (.24)	DPA-43-153-64E	
316SS	0-80 (0-5.5)	600 (41.4)	20(1.4)	DPA-7043-153-65E	6.0 (.41)	DPS-7243-153-65E	16 (1.1)	DPA-43-153-65E	

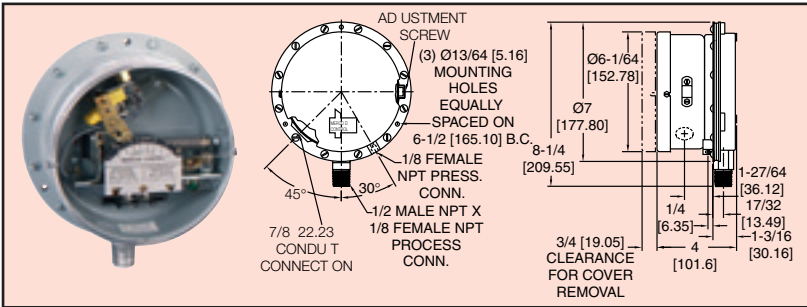
\* Mercury switch units are not CE approved.



Series PG

# Gas Pressure/Differential Pressure Switches

External Adjustment, Visible Dial, Hermetically Sealed Snap or Mercury Switch



### SPECIFICATIONS

**Wetted Materials:** Fairprene, brass, steel, and aluminum.

**Temperature Limits:** -10 to 180°F (-23 to 82°C).

### Pressure Limit:

Single Pressure Use on High Side:  
 Sustained Pressure: 15 psig (1.0 bar).  
 Surge Limit: 20 psig (1.4 bar).

Differential Pressure Use:  
 Sustained Pressure, Range P1: 2 psig (.14 bar).  
 Sustained Pressure, Range P2: 10 psig (0.7 bar).

**Enclosure Rating:** General purpose. Weatherproof and explosion-proof optional.

**Repeatability:** ±1% of full range.

**Switch Type:** SPST mercury switch, SPDT mercury switch, SPDT snap switch, or SPDT hermetically sealed snap switch. Optional DPDT.

**Electrical Rating:** SPDT Mercury: 4A @ 120 VAC/VDC, 2A @ 240 VAC/VDC. SPST Mercury: 6A @ 120 VAC/VDC, 3A @ 240 VAC/VDC. SPDT Snap: 15A @ 120 VAC, 8A @ 240 VAC, 0.5A @ 120 VDC, 0.25A @ 240 VDC. SPDT H.S. Silver Snap: 5A @ 125/250 VAC, 30 VDC resistive. SPDT H.S. Gold Snap: 1A @ 125 VAC, 30 VDC resistive.

**Electrical Connections:** Screw type.

**Conduit Connection:** 7/8" (22.23 mm) hole for 1/2" (12.7 mm) conduit hub.

**Process Connection:** 1/2" male NPT and 1/8" female NPT used for single positive pressure or high differential pressure, 1/8" female NPT used for single vacuum or low differential pressure.

**Mounting Orientation:** Vertical.

**Set Point Adjustment:** External screw.

**Weight:** 4.5 lb (2 kg).

**Deadband:** See model chart.

**Agency Approvals:** UL, CSA, FM for mercury switch models. UL only on snap switch models.

**Large diaphragm sensitivity** and time proven dependable design are combined in model PG differential pressure switches. Visible dial reduces “start up” time and helps prevent calibration errors. External adjustment allows set point change without removal of cover. Unit is listed by UL, FM and CSA.

### STOCKED MODELS in bold

Model Number	Range	Maximum Deadband	Switch Type
<b>PG-153-P1</b>	1-30" wc (.25-7.47 kPa)	1.9" wc (0.47 kPa)	SPDT Mercury
<b>PG-153-P2</b>	0.5-5 psid (0.3-3.45 bar)	0.4 psid (0.38 bar)	SPDT Mercury
<b>PG-3-P1</b>	1-30" wc (.25-7.47 kPa)	1.3" wc (0.32 kPa)	SPST Mercury*
<b>PG-3-P2</b>	0.5-5 psid (.03-3.45 bar)	0.3 psid (0.21 kPa)	SPST Mercury*
PG-7000-153-P1	1-30" psid (.03-3.45 bar)	4" wc (1.0 kPa)	SPDT Snap
PG-7000-153-P2	0.5-5 psid (.03-3.45 bar)	.5 psid (.035 bar)	SPDT Snap
PG-7000-153HS-P1	1-30" wc (.25-7.47 kPa)	4" wc (1.0 kPa)	SPDT Hermetically Sealed Silver Snap
PG-7000-153HG-P1	1-30" wc (.25-7.47 kPa)	4" wc (1.0 kPa)	SPDT Hermetically Sealed Gold Snap

\* SPST switches shown are close on increase of pressure. For open on increase of pressure replace 3 in middle of model number with 2. Example: PG-2-P1. Models are stocked and are the same price.