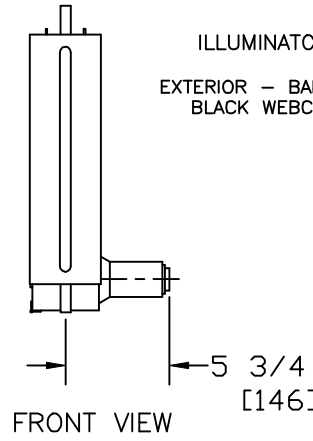
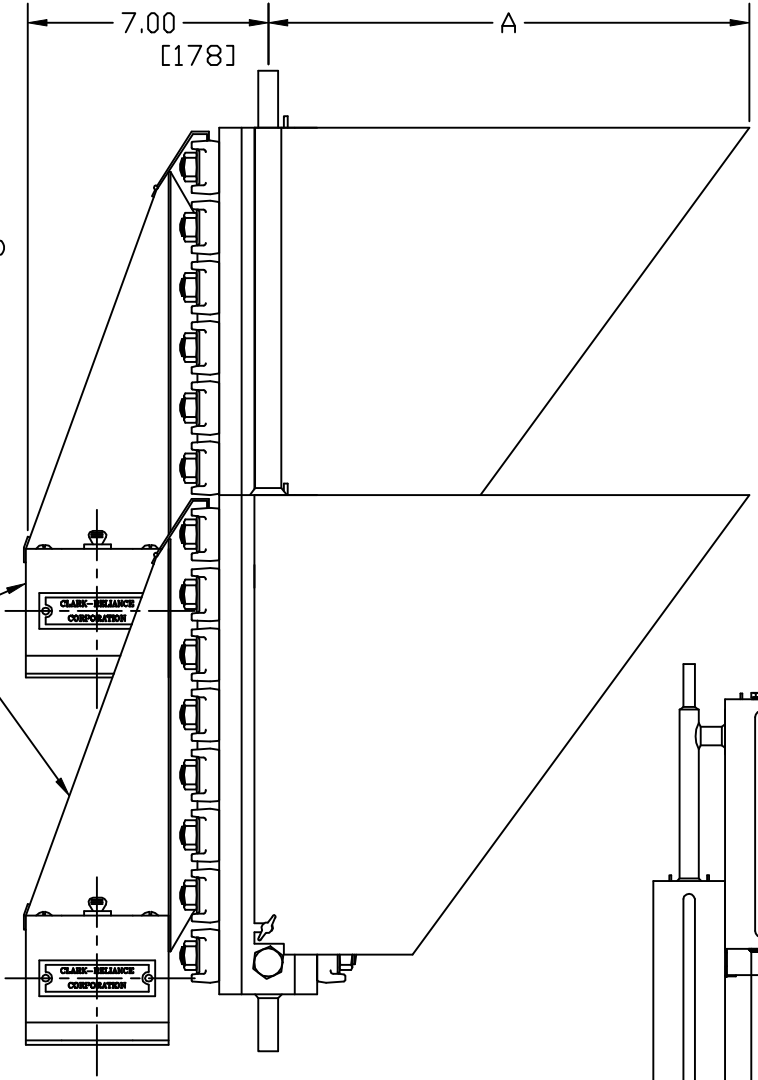


SINGLE WINDOW GAGE
DIRECT VISION HOOD
AND ILLUMINATOR

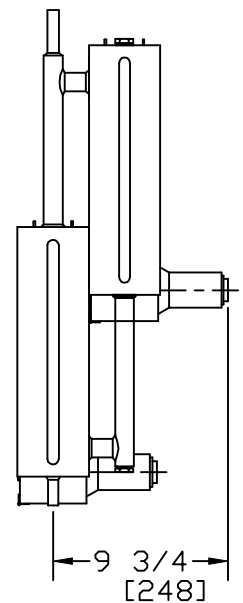
STANDARD SIZES				
SINGLE WINDOW				
GAGE P/N	HOOD NO.	ILLUM. NO.	A	A [mm]
FG904	FG450	FG40	11 1/8	[283]
FG905	FG450	FG50	11 1/8	[283]
FG906	FG670	FG60	12 1/2	[318]
FG907	FG670	FG70	12 1/2	[318]
FG908	FG890	FG80	13 7/8	[352]
FG909	FG890	FG90	13 7/8	[352]
DOUBLE WINDOW				
FG966	FG6700	FG60	12 3/4	[324]
FG977	FG6700	FG70	12 3/4	[324]
FG988	FG8900	FG80	14 1/8	[359]
FG999	FG8900	FG80	14 1/8	[359]



FRONT VIEW



DOUBLE WINDOW GAGE
DIRECT VISION HOODS
AND ILLUMINATORS



FRONT VIEW

- NOTES:
1. DUE TO THE CONSTRUCTION OF HIGH PRESSURE GAGES IT IS RECOMMENDED THAT THE LINE OF SIGHT FALL IN THE 45° RANGE SHOWN
 2. GAGES REQUIRE 1 HOOD AND ILLUMINATOR FOR EACH WINDOW SECTION
 3. ILLUMINATORS FURNISHED WITH 150 WATT - 110 VOLT CLEAR LAMPS
 4. DIMENSIONS IN [] ARE MILLIMETERS

MATERIAL:
 DRAWN: DAS CHECKED:
 SCALE: NONE DATE: 8/15/95
 REV. 2 PER CDC 95-127

CLARK-RELIANCE CORP.
STRONGSVILLE, OHIO, U.S.A.
 PART NO.:

ST'D DIRECT VISION HOODS
 AND ILLUMINATORS
 FOR FG900 SERIES
 TOLERANCE CLASS:

DRAWING NUMBER:
B-7013
 REV. **2**