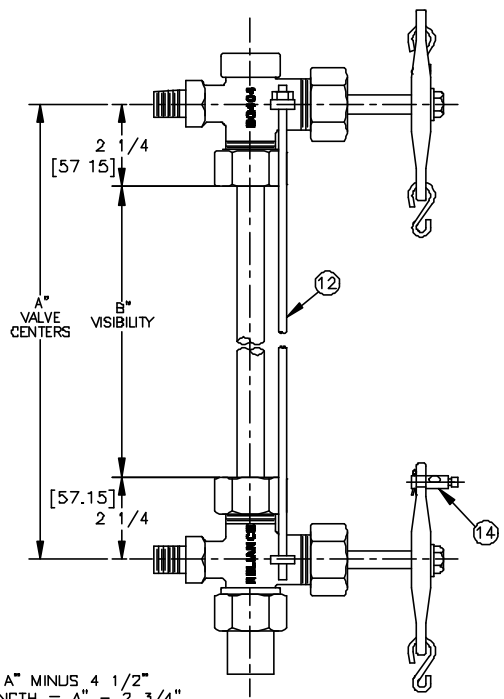
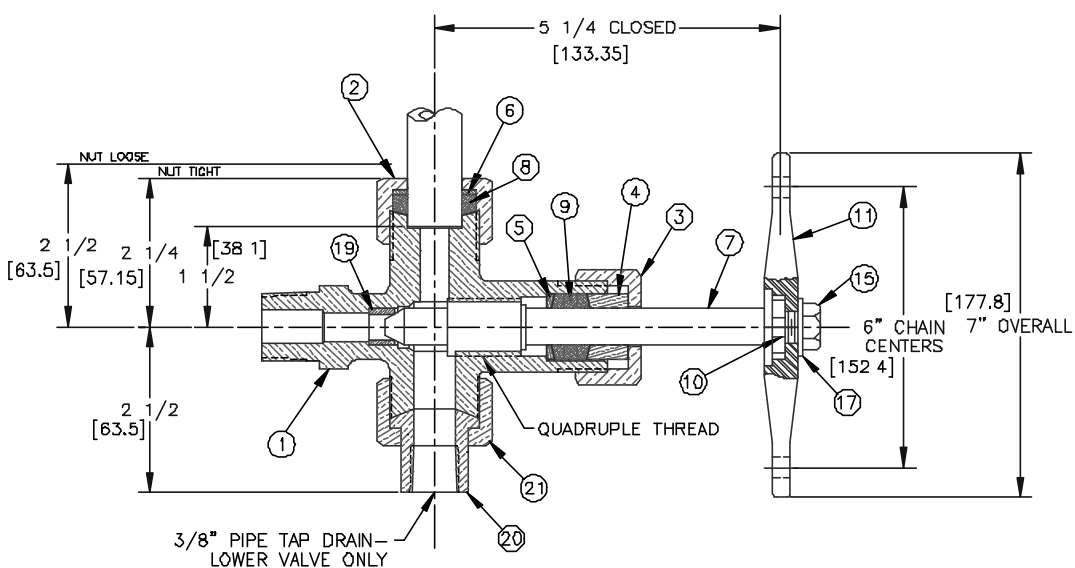


| BILL OF MATERIAL - PER SET |                |        |  |               |          |
|----------------------------|----------------|--------|--|---------------|----------|
| ITEM                       | PART NO.       | QTY.   | DESCRIPTION                            | MAT'L.        | DWG. #   |
| 1                          | BG404R-1       | 1      | LOWER VALVE BODY                       | SB-61         | AB-19342 |
| 2                          | BG403R-2       | 2      | GLASS PACKING NUT                      | BRASS         | A-4710   |
| 3                          | BG403R-3       | 2      | STEM PACKING NUT                       | BRASS         | A-4710   |
| 4                          | BG403R-4       | 2      | STEM PACKING GLAND                     | BRASS         | A-4713   |
| 5                          | BG403R-5       | 2      | STEM PACKING WASHER                    | BRASS         | A-4713   |
| 6                          | SG454-10       | 2      | GLASS PACKING WASHER                   | STEEL         | A-4713   |
| 7                          | BG403RS-3B     | 2      | VALVE STEM                             | 303 STN STL   | A-16154  |
| 8                          | BG403R-12      | 2      | GLASS PACKING                          | CRANE 552K    | BG7000-A |
| 9                          | BG403R-9       | 6      | STEM PACKING                           | SUPER SEAL #1 | A-19585  |
| 10                         | BG403RS-1      | 2      | SPROCKET                               | SINTERED IRON | A-7255   |
| 11                         | BG403RS-2      | 2      | LEVERS - UPPER AND LOWER               | MALL. IRON    | A-7254   |
| 12                         | RGR ROD        | 2      | GUARD RODS - LENGTH=VALVE CNTRS. + 1"  | STEEL         | SK3-4-57 |
| 13                         | RBG403R 17     | 10 FT. | CHAIN (2 - 5 FT. LENGTHS) - W/5" HOOKS | STEEL         | ---      |
| 14                         | BG403R-15      | 1      | CHAIN FIXTURE                          | BRASS         | A-3047   |
| 15                         | X172120        | 2      | HEX HEAD CAP SCREW                     | STEEL         | ---      |
| 16                         | BG403R-18 & 19 | 1 SET  | CHAIN HANDLES                          | ALUMINUM      | A-6282   |
| 17                         | X174130        | 2      | SHAKEPROOF LOCK WASHER                 | STEEL         | ---      |
| 18                         | BG404R-1A      | 1      | UPPER VALVE BODY                       | SB-61         | AB-19342 |
| 19                         | BG404R-4       | 2      | VALVE STEM SEAT                        | 303 STN STL   | A-4713   |
| 20                         | BG404R-3       | 1      | BLOWOFF PIECE NUT                      | BRASS         | A-4714   |
| 21                         | BG404R-2       | 1      | BLOWOFF PIECE                          | BRASS         | A-4714   |



MAXIMUM STEAM PRESSURE WHEN USED WITH:  
 FLAT GLASS GAGE-----> 450 PSIG  
 STEEL PRISMATIC GAGE-----> 350 PSIG  
 CAST IRON PRISMATIC GAGE-> 250 PSIG  
 TUBULAR GLASS GAGE -----> 250 PSIG

DIMENSIONS IN INCHES  
 DIMENSIONS IN MILLIMETERS

B"=VISIBLE GLASS = A" MINUS 4 1/2"  
 GAGE GLASS OVERALL LENGTH = A" - 2 3/4"

| REV. | DESCRIPTION          | DATE    | SIC. |
|------|----------------------|---------|------|
| 12   | MATERIAL CHANGES     | 5/15/97 | DAC  |
| 11   | REDRAWN - NO CHANGES | 8-2-93  | FAS  |
| REV. | DESCRIPTION          | DATE    | SIC. |
|      | REVISIONS            |         |      |

UNLESS OTHERWISE NOTED  
 TOLERANCES (+)  
 DECIMAL & STOCK ( .002 )  
 FIN. FRACTIONAL (UP TO 1", NOT INCL.) ( .010 )  
 FIN. FRACTIONAL (1" INCL., UP TO 3") 1/64  
 FIN. FRACTIONAL (3" INCL., UP TO 6") 1/32  
 FIN. FRACTIONAL (6" INCL., UP TO 12") 1/16  
 FIN. FRACTIONAL (12" & OVER) 1/8  
 ANGLES 1"  
 MACHINE FINISH- 125√ OR SMOOTHER  
 REMOVE BURRS AND SHARP EDGES

THE CLARK-RELIANCE CORP.  
 STRONGSVILLE, OHIO

BG404RS HIGH PRESSURE  
 BRONZE WATER GAGE VALVE

| MATERIAL    |             |
|-------------|-------------|
| DRAWN FAS   | SCALE NONE  |
| CHKD.       | DATE 8-2-93 |
| DRAWING NO. | REV.        |
| B-4726      | 12          |