

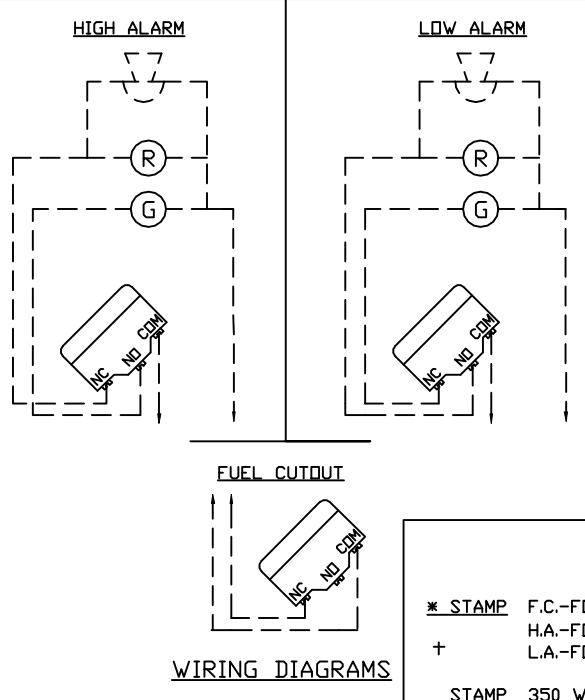
# BILL OF MATERIAL

ITEM	PART #	QTY.	DESCRIPTION	MATERIAL	DWG. #
1	EA100D-1	1	BDDY	STEEL	B-8837
2	EA100-23	1	SWITCH COVER	MONEL B127-58	B-8838
3	EA100-12	1	CONNECTOR ROD ASSEMBLY	STAINLESS STEEL 18-8	B-8838
4	EA100-13	1	MAGNET ASSEMBLY	ALNICO V NICKEL PLATED	B-8838
5	EA100-14X	1	SWITCH ASSEMBLY	-	B-8838
6	EA100R-27D	1	SWITCH HOUSING ASSEMBLY	STEEL	B-8838
7	EA100-21	1	LEVER PIN	STAINLESS STEEL 18-8	B-8838
8	EA100-17	1	NAME PLATE	ALUMINUM	B-25-59
9	X172910	1	RHMS 10-24 X 1/4	BRASS	-
10	C1-3	1	GASKET	STEEL	A-6534
11	X172372	4	CAP BOLT 1/2-13 X 2	STEEL A193 GR. B-7	-
12	F3S	1	FLOAT	STAINLESS STEEL A240 TP304	-
13	EA6-15	1	SWITCH INSULATOR	FIBRE	A-7577
14	X173260	2	METALLIC DRIVE SCREW U4 X 3/16	STEEL	-
15	X174280	2	SHAKEPROOF #6 LOCK WASHER	STEEL	-
16	X172860	2	R.H. SCREW & NUT 6-32 X 1	BRASS	-
17	X171700	2	COTTER PIN 1/32 X 1/2"	STAINLESS STEEL 18-8	-
18	X171501	4	HEAVY HEX NUT 1/2-13	STEEL A194 GR. 2H	-

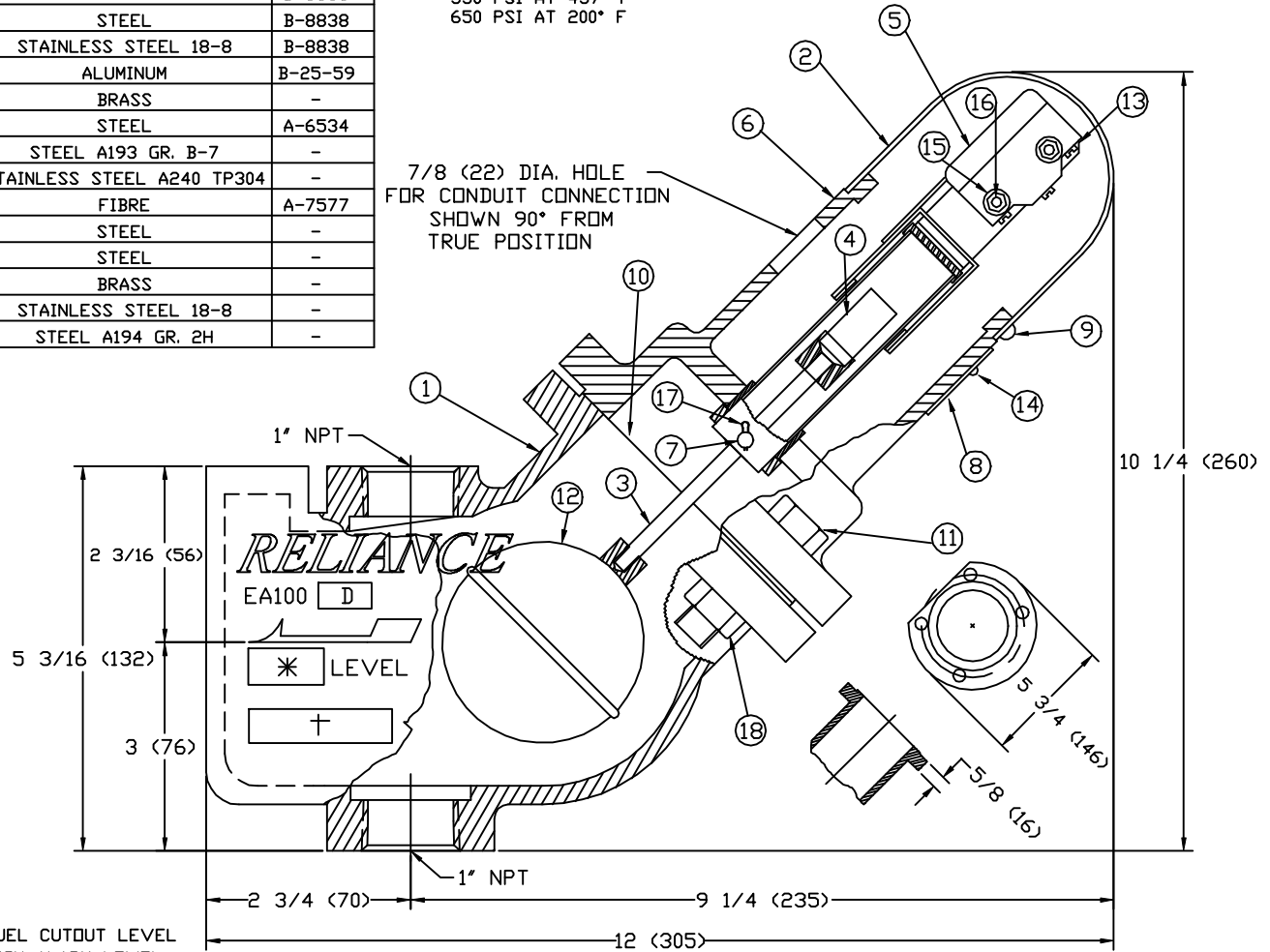
NOTES: MICRO SWITCH, TYPE BZ-2RW82444-A2  
 UNDERWRITER APPROVED  
 FOR THE FOLLOWING RATINGS:  
 5A-125,250, OR 480 VAC  
 1/2A-125 VDC  
 1/4A-250 VDC

### STATIONARY SERVICE RATING

MAX PRESSURE:  
 350 PSI AT 437° F  
 650 PSI AT 200° F



\* STAMP F.C.-FOR FUEL CUTOUT LEVEL  
 H.A.-FOR HIGH ALARM LEVEL  
 L.A.-FOR LOW ALARM LEVEL  
 +  
 STAMP 350 WSP- FOR STEAM SERVICE  
 650 PSI AT 200° F (ONLY WHEN SPECIFIED)



HYDROSTATIC TEST - 975 PSI

\* TOLERANCES DEFINED BY PES-004

MATERIAL: X	CHECKED: X
DRAWN: SMH	DATE: 8/25/95
SCALE: NONE	REV. 16 PER CDC 95-127

**CLARK-RELIANCE CORP.**  
 STRONGVILLE, OHIO, U.S.A.

PART NO.: SEE CHART

EA100D LEVALARM  
 ASSEMBLY

TOLERANCE CLASS: X

DRAWING NUMBER: B-15290  
 REV. 16