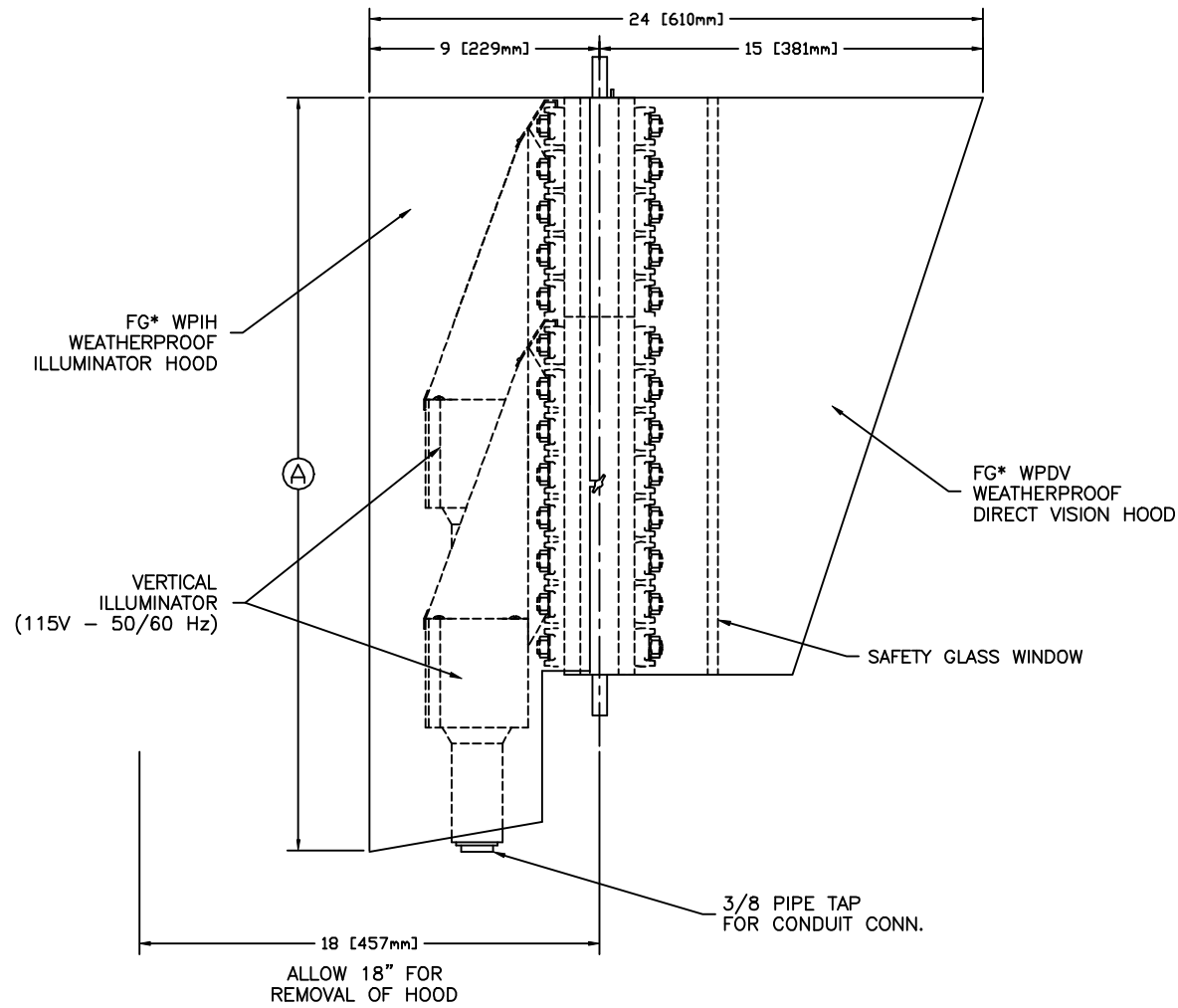


GAGE P/N	A (IN)	A [mm]	ILLUM.
FG966	24 3/8	[619]	FG60V
FG977	26 7/8	[683]	FG70V
FG988	29 3/8	[746]	FG80V
FG999	30 7/8	[784]	FG90V
FG466	24 3/8	[619]	FG60V
FG477	26 7/8	[683]	FG70V
FG488	29 3/8	[746]	FG80V
FG499	30 7/8	[784]	FG90V



NOTES:
 *TO COMPLETE PART NO. ADD GAGE SIZE FOR DIRECT VISION AND ILLUMINATOR HOOD
 -SEE DRAWINGS B-11867 & B-15178 FOR DETAILS
 -DIMENSION IN [] ARE IN MILLIMETERS

MATERIAL: 304 STNLS STL
 DRAWN: DAS CHECKED:
 SCALE: NONE DATE: 8/17/95
 REV. 5 ADDED FG400 SERIES 4/20/98 ST ECN 98-106

CLARK-RELIANCE CORP.
STRONGSVILLE, OHIO, U.S.A.

PART NO.:

FG400 AND FG900 SERIES DOUBLE WINDOW WEATHERPROOF DIRECT VISION AND ILLUMINATION ASSEMBLY
 TOLERANCE CLASS:

DRAWING NUMBER:
 A15177

REV.
 5