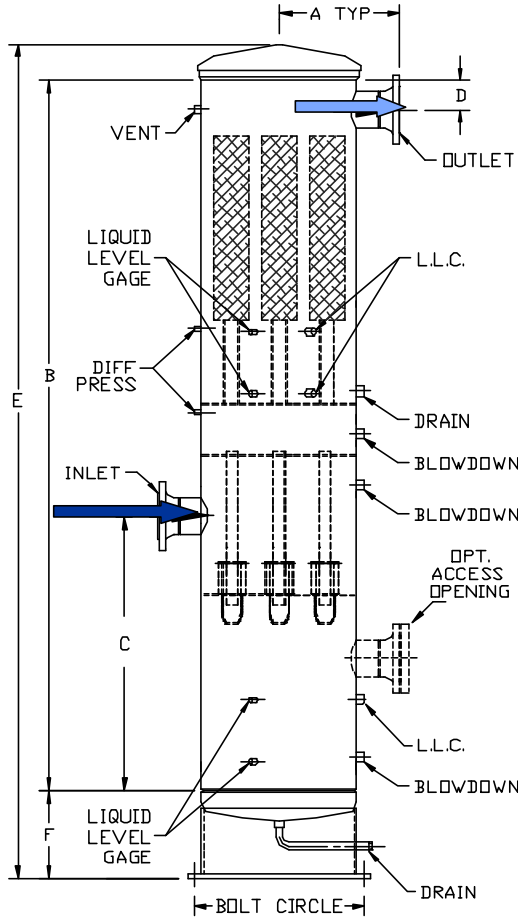


FILE NO.: A400-23.DWG  
 DRAWN: TFK CHECKED: KES  
 SCALE: NONE DATE: 02/12/98

**ANDERSON™ SEPARATOR Co.**  
 DIVISION OF  
 THE CLARK • RELIANCE® CORP.  
 16633 FOLTZ INDUSTRIAL PKWY.  
 STRONGSVILLE, OHIO 44136 U.S.A. (440)-572-1500

**MODEL ACF**  
 CYCLONE COALESCING FILTER

Section: A400  
 Bulletin: A400.23  
 Date: 2/12/98  
 Supersedes: NEW



MODEL ACF-C	VESSEL DIAMETER	MIN SIZE I/O	A				B	C	D	E	F	BOLT CIRCLE	BOLT HOLES
			150#	300#	600#	900#							
2-6	6-5/8" OD	2"	10	10	10	12	105	34	5	127	16	9-1/8	4@7/8"
3-8	8-5/8" OD	3"	11	11	11	13	106	34	6	130	16	11-1/8	4@7/8"
4-10	10-3/4" OD	4"	12	12	14	14	110	34	7	137	17	13-1/4	4@7/8"
6-12	12-3/4" OD	6"	15	15	17	17	117	36	7	145	17	15-1/4	4@7/8"
6-14	14" OD	6"	16	16	16	16	117	36	7	152	18	16-1/2	4@7/8"
6-16	16" OD	6"	16	18	18	18	117	36	7	152	18	18-1/2	4@7/8"
6-18	18" OD	6"	17	19	19	19	117	36	7	168	19	20-1/2	4@7/8"
8-20	20" OD	8"	18	20	20	20	125	36	7	157	19	22-1/2	4@7/8"
8-24	24" OD	8"	20	20	20	22	125	36	8	160	20	26-1/2	4@7/8"
10-26	26" ID	10"	23	23	23	25	129	38	9	166	21	28-1/2	4@7/8"
10-30	30" ID	10"	24	24	26	26	131	40	9	170	22	32-1/2	4@7/8"
12-36	36" ID	12"	27	27	29	29	139	42	10	183	23	38-1/2	4@7/8"
14-42	42" ID	14"	30	30	32	34	147	46	11	188	25	44-1/2	4@7/8"
16-48	48" ID	16"	33	33	35	37	155	46	12	203	26	50-1/2	8@7/8"
18-54	54" ID	18"	38	38	40	42	163	46	13	213	28	56-1/2	8@7/8"
20-60	60" ID	20"	41	43	43	47	168	48	14	227	29	62-1/2	8@7/8"
20-66	66" ID	20"	44	47	47	50	170	50	14	233	31	68-1/2	8@7/8"
24-72	72" ID	24"	47	47	49	51	187	54	16	251	32	74-1/2	8@7/8"
24-78	78" ID	24"	51	51	53	55	188	58	16	258	34	80-1/2	8@7/8"

STANDARD MATERIALS	
HEADS	SA-516-70
SHELL	SA-106-B/C / SA-516-70
FLANGES	SA-105
FITTINGS	SA-105
PIPE	SA-106-B/C
SUPPORTS	SA-36 / SA-285
CLOSURE	CARBON STEEL
CYCLONES	CARBON STEEL

AVAILABLE CONNECTIONS	DRAIN: _____	VENT: _____
	SYPHON: _____	L.L.C.: _____
	INSPECTION: _____	
	OTHERS: _____	

A.S.M.E. CODE STAMPS

- NOTES.
- DESIGNED, FABRICATED AND STAMPED IN ACCORDANCE WITH ASME CODE SECTION VIII, DIVISION I.
  - SPECIAL MATERIALS, CONFIGURATIONS, AND HIGHER DESIGN PRESSURES AVAILABLE UPON REQUEST.
  - FIRST STAGE MULTI-CYCLONE TUBE BUNDLE FOR IMPROVED PRELIMINARY SOLIDS AND LIQUIDS SEPARATION
  - DIMENSIONS ARE IN INCHES
  - DIMENSION ARE NOT TO BE USED FOR CONSTRUCTION

